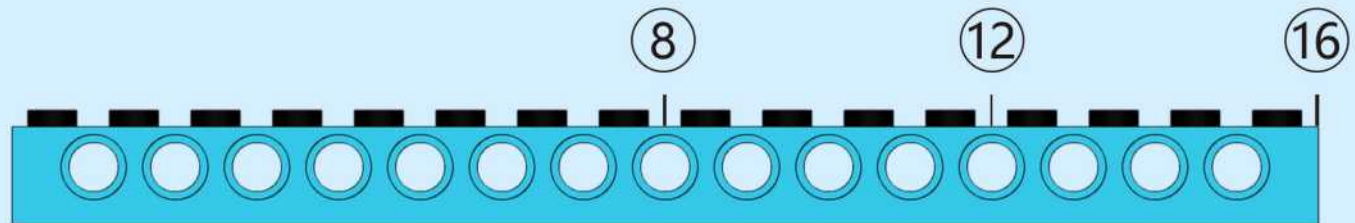
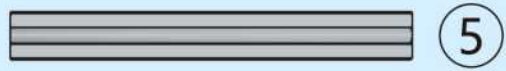
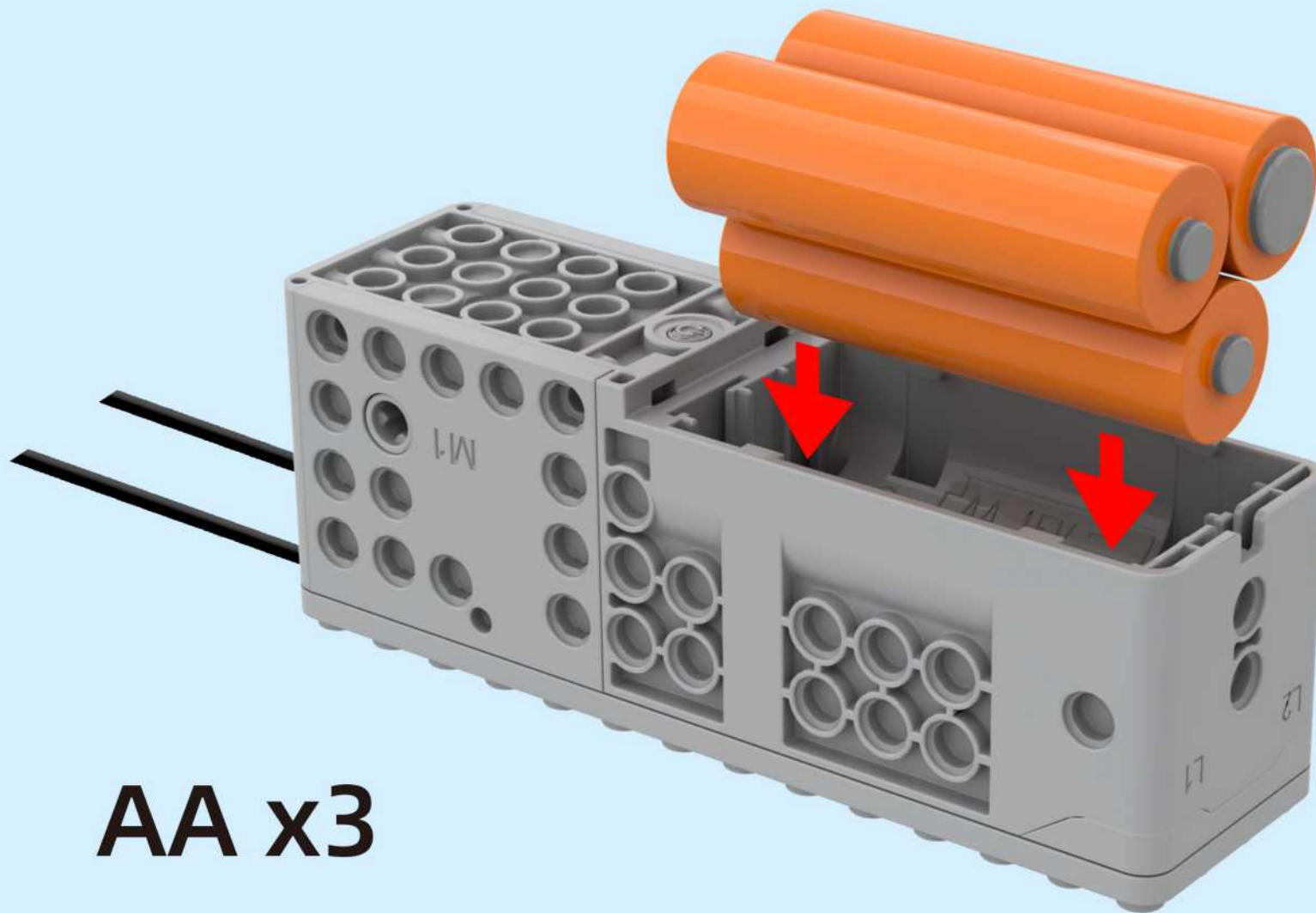


# I

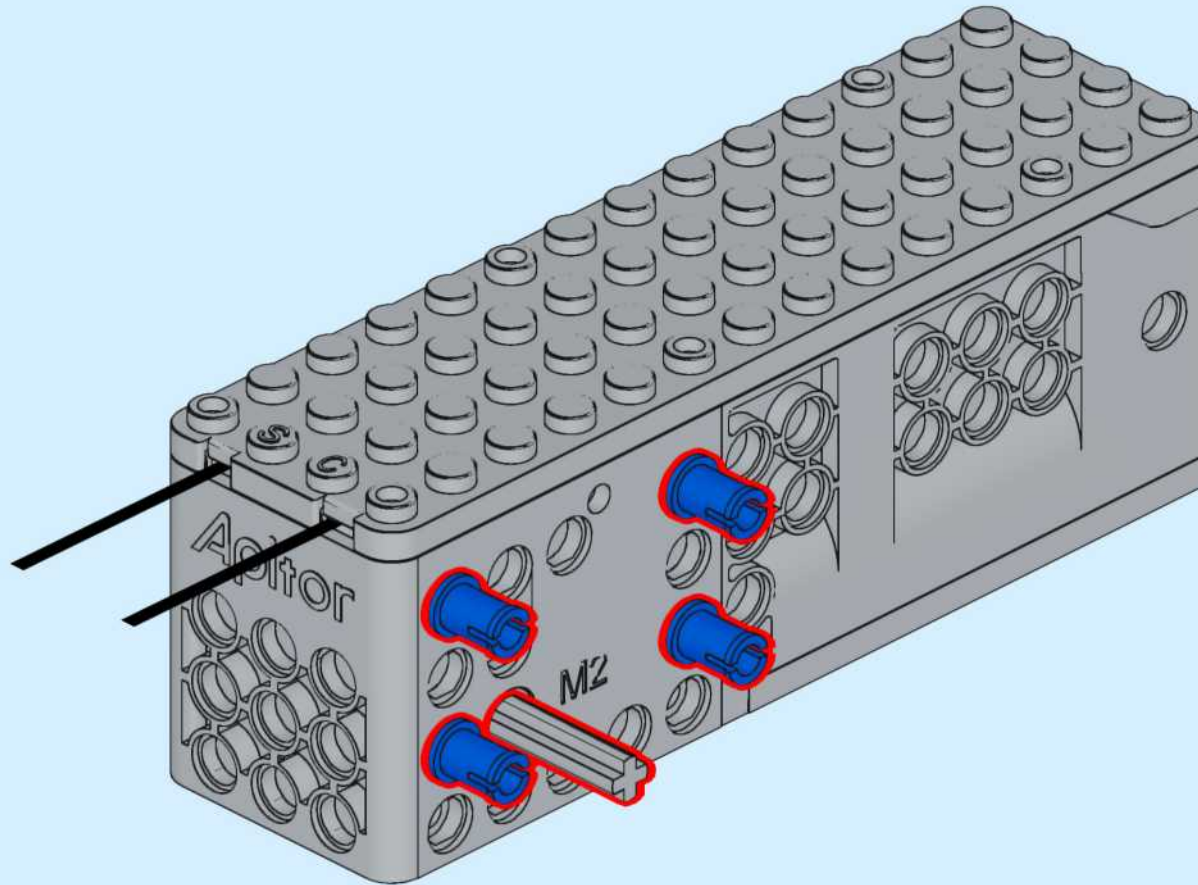
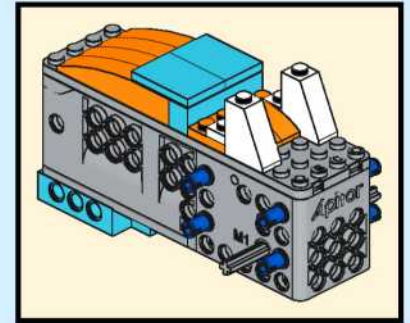
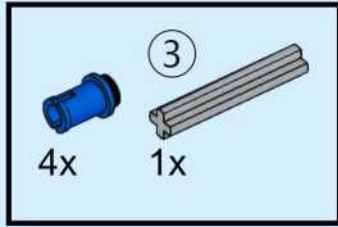


**II**

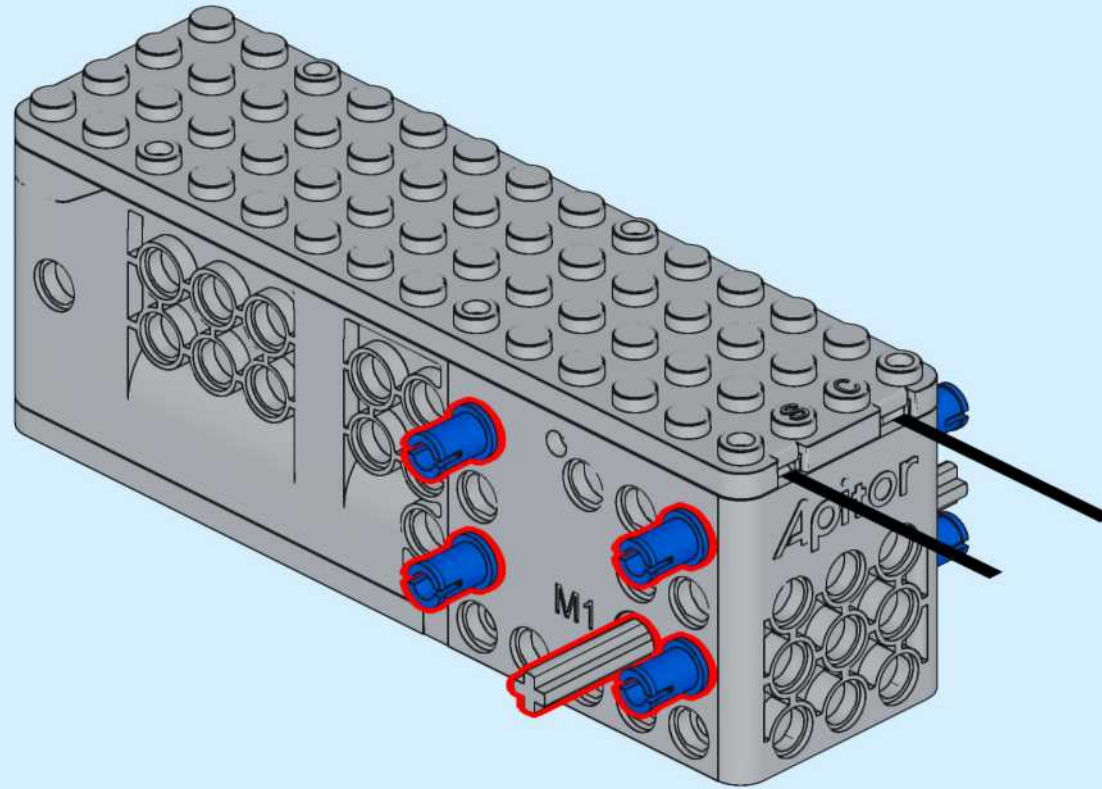
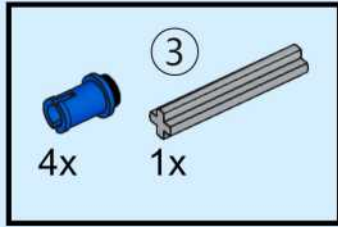


**AA x3**

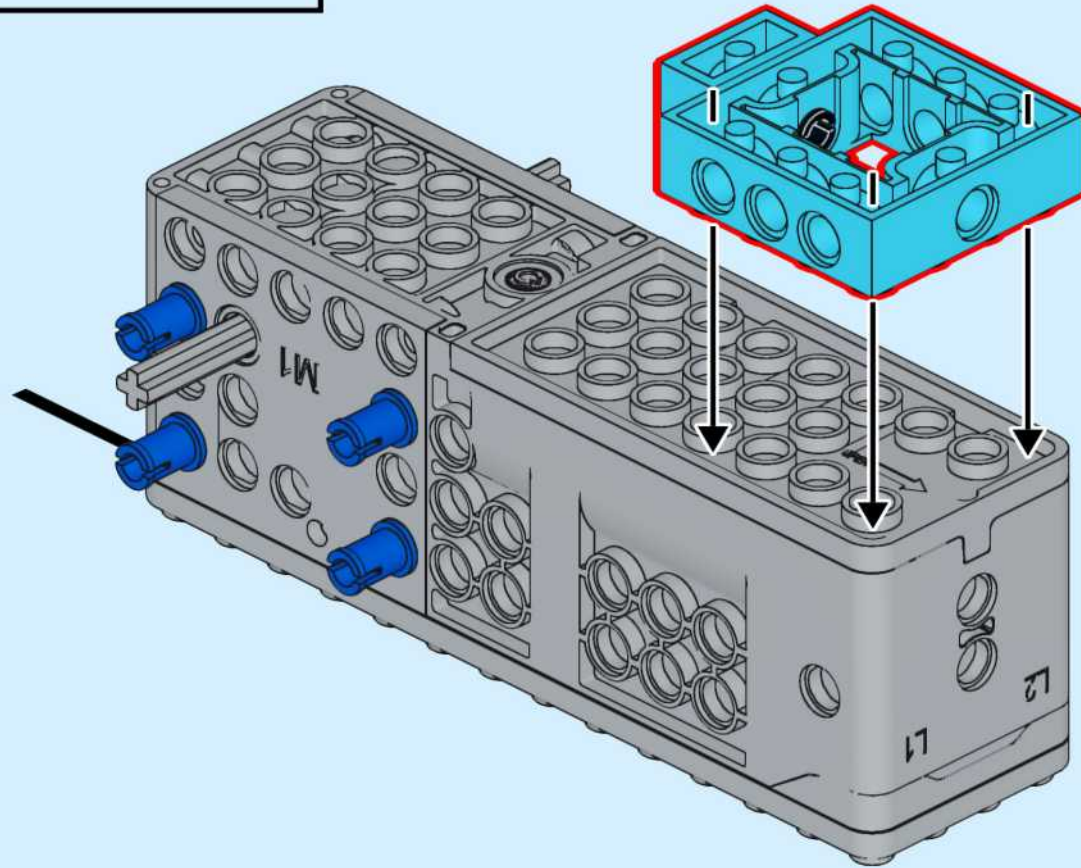
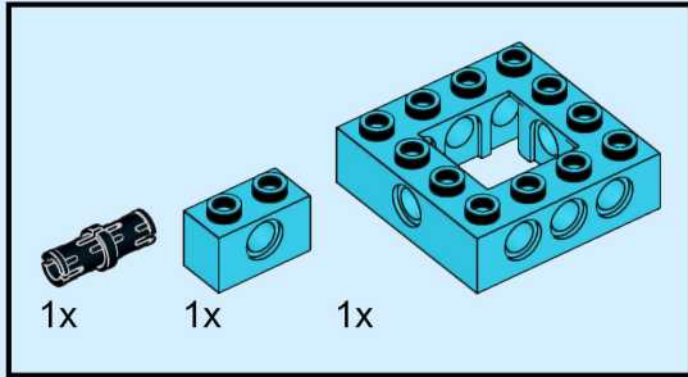
# 1



# 2

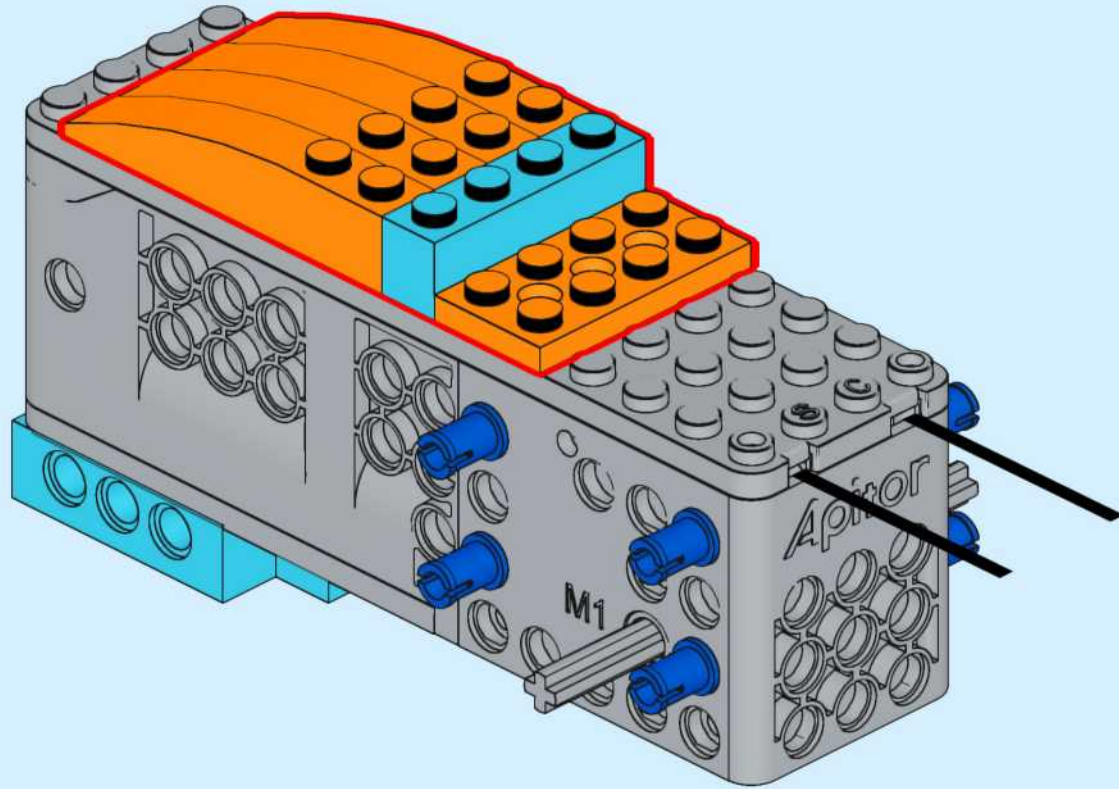
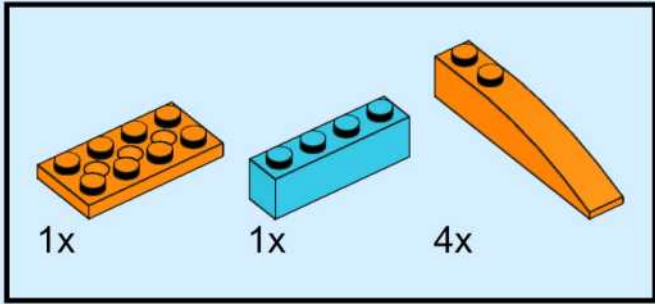


# 3

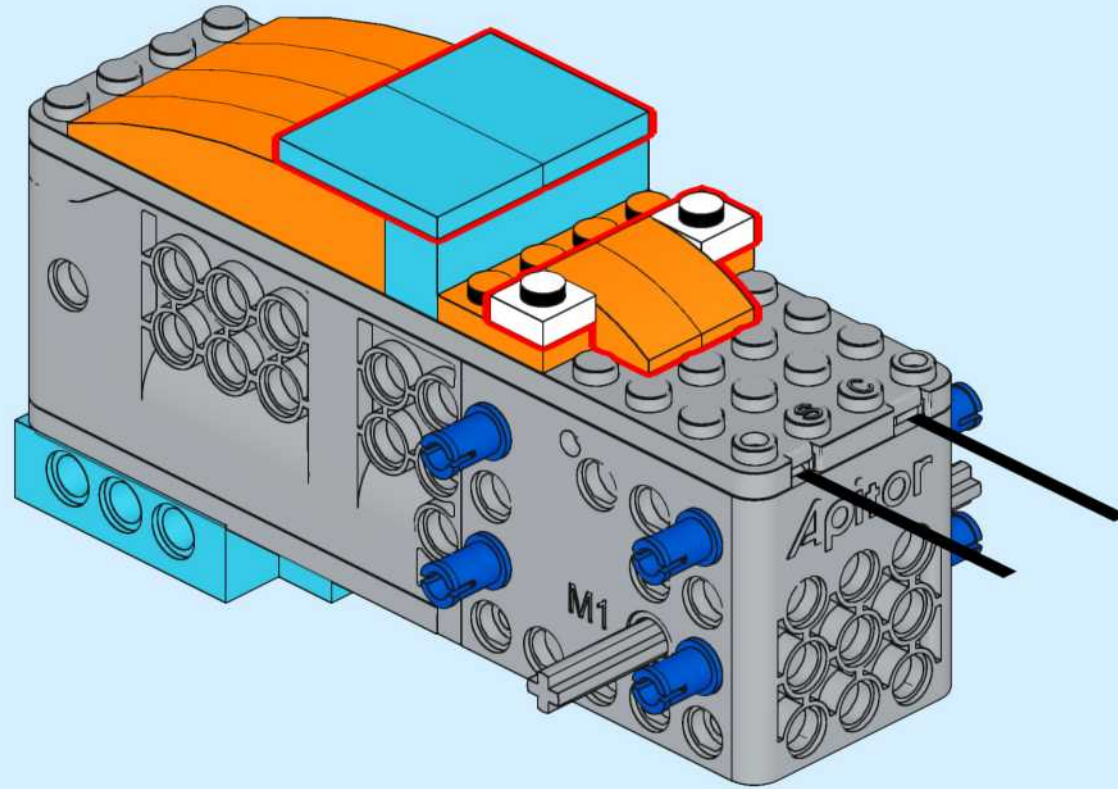
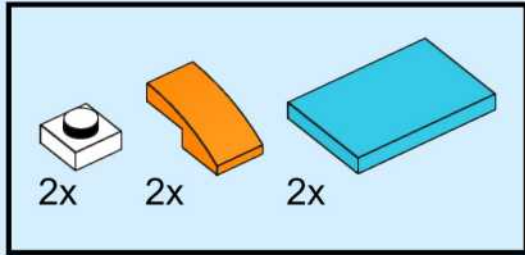




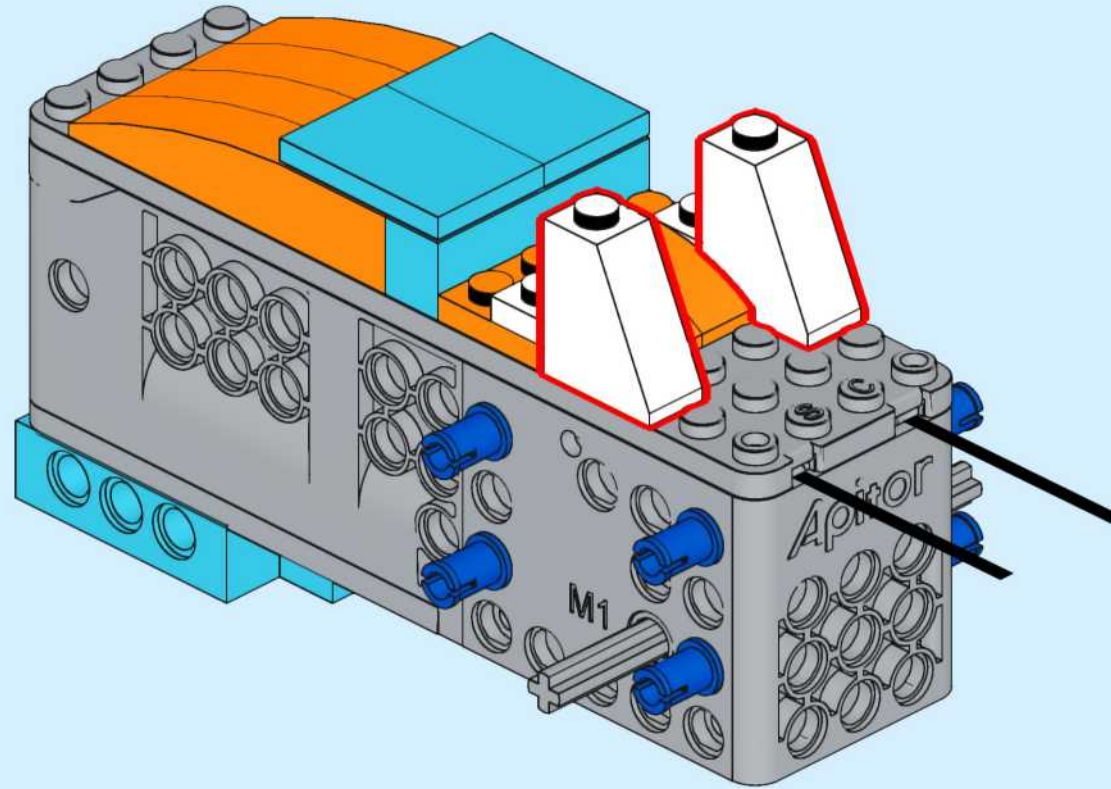
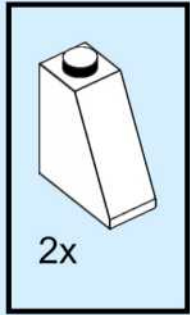
# 4



# 5

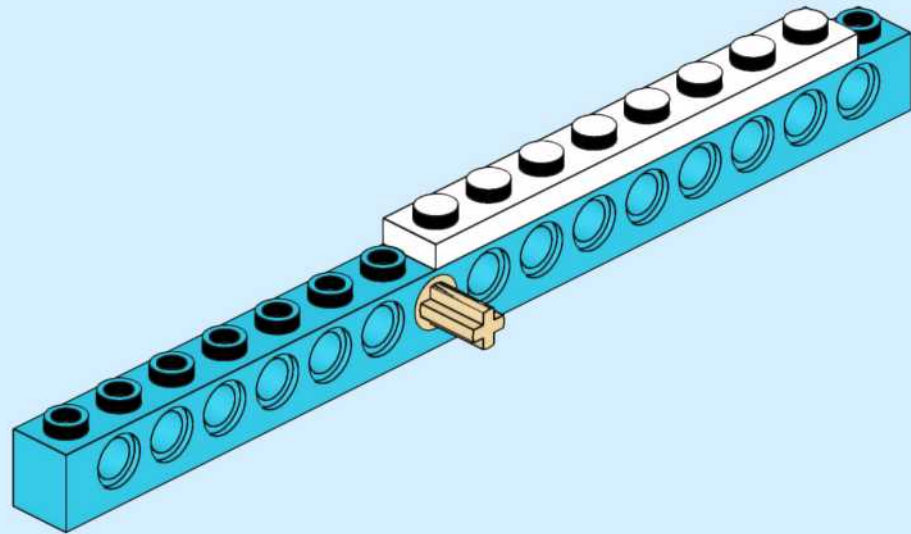
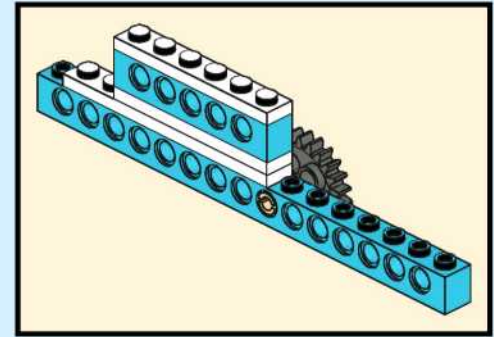
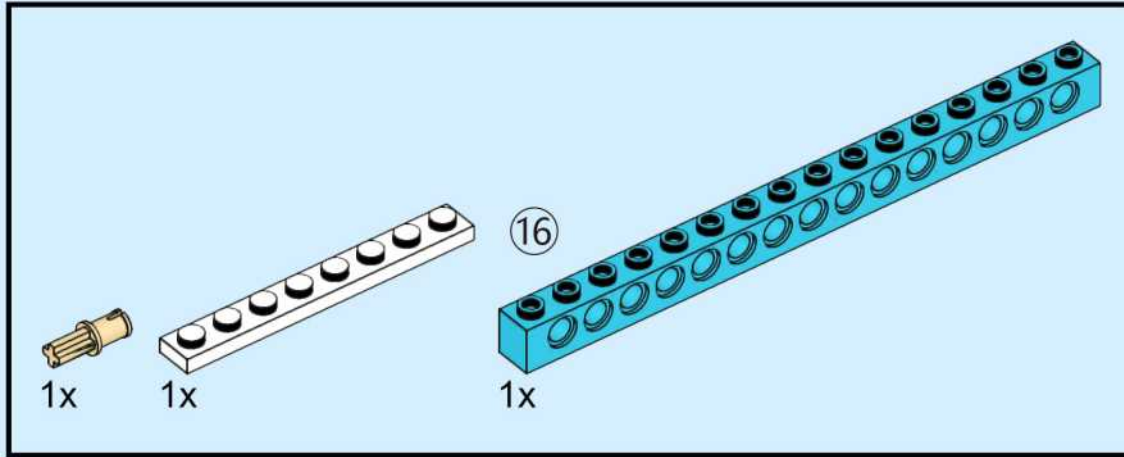


6

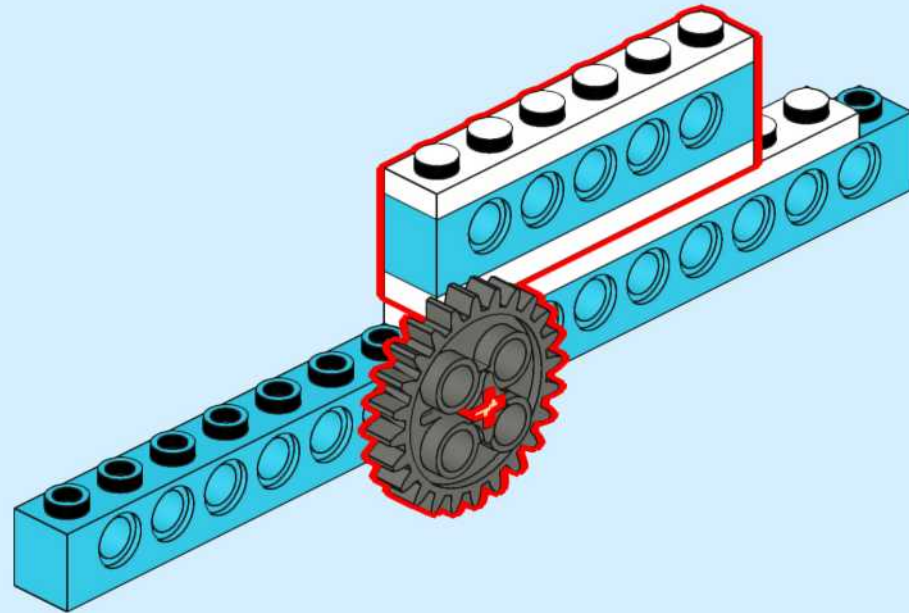
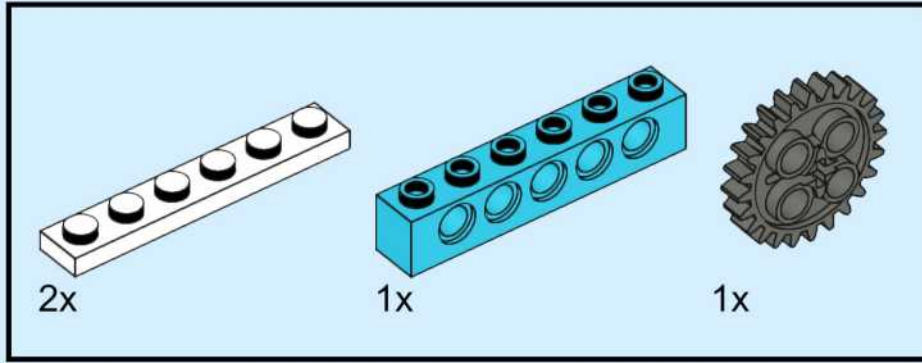




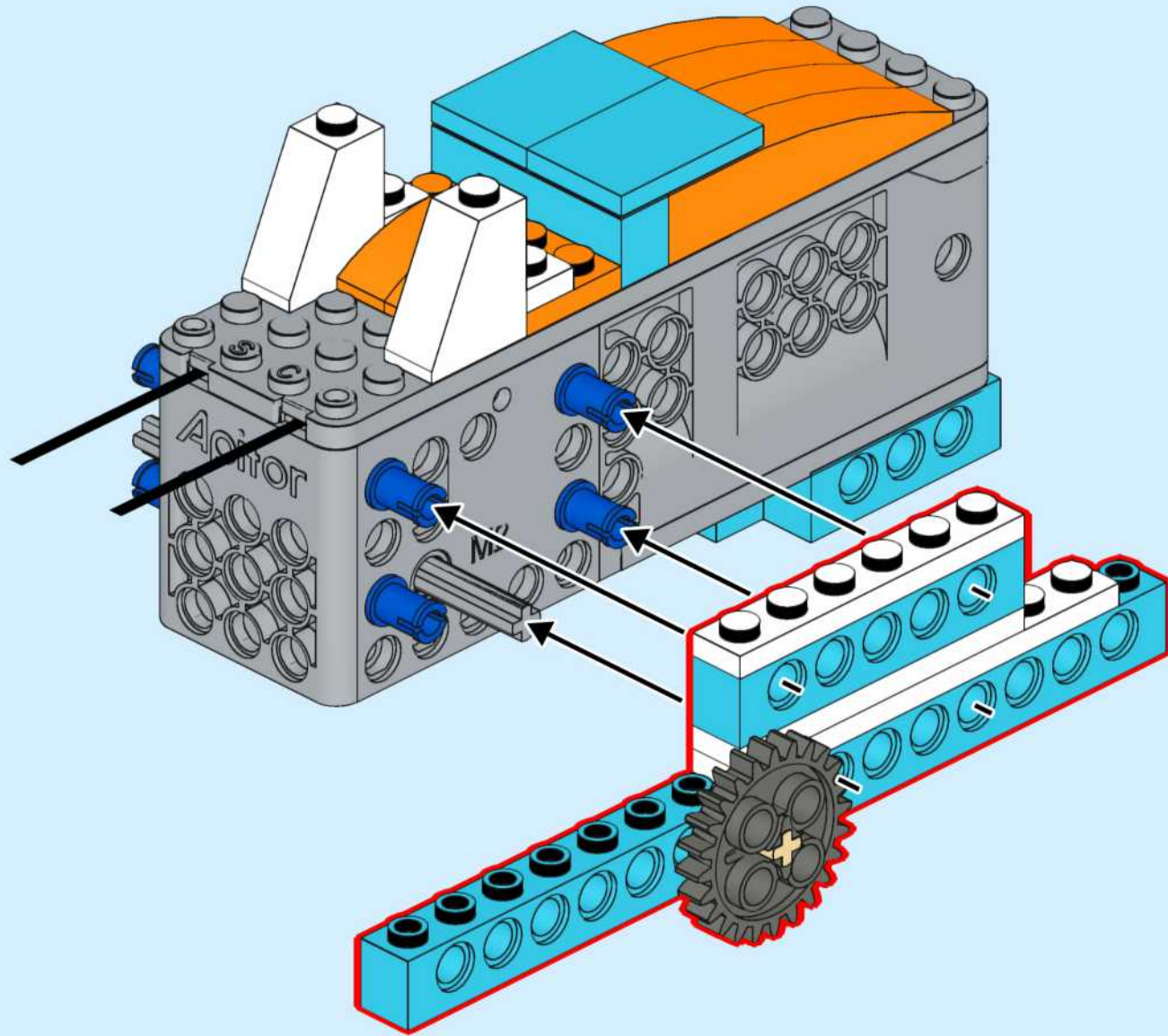
# 7



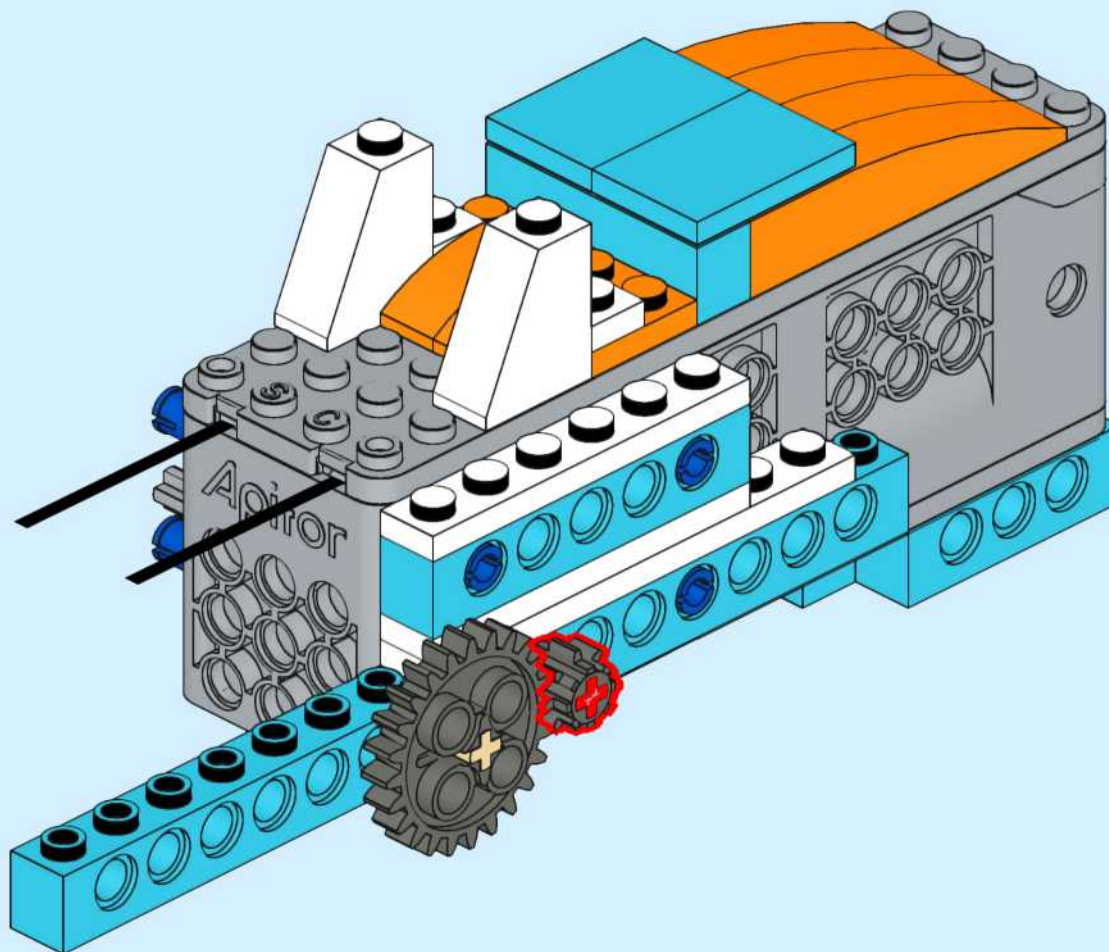
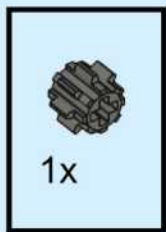
8



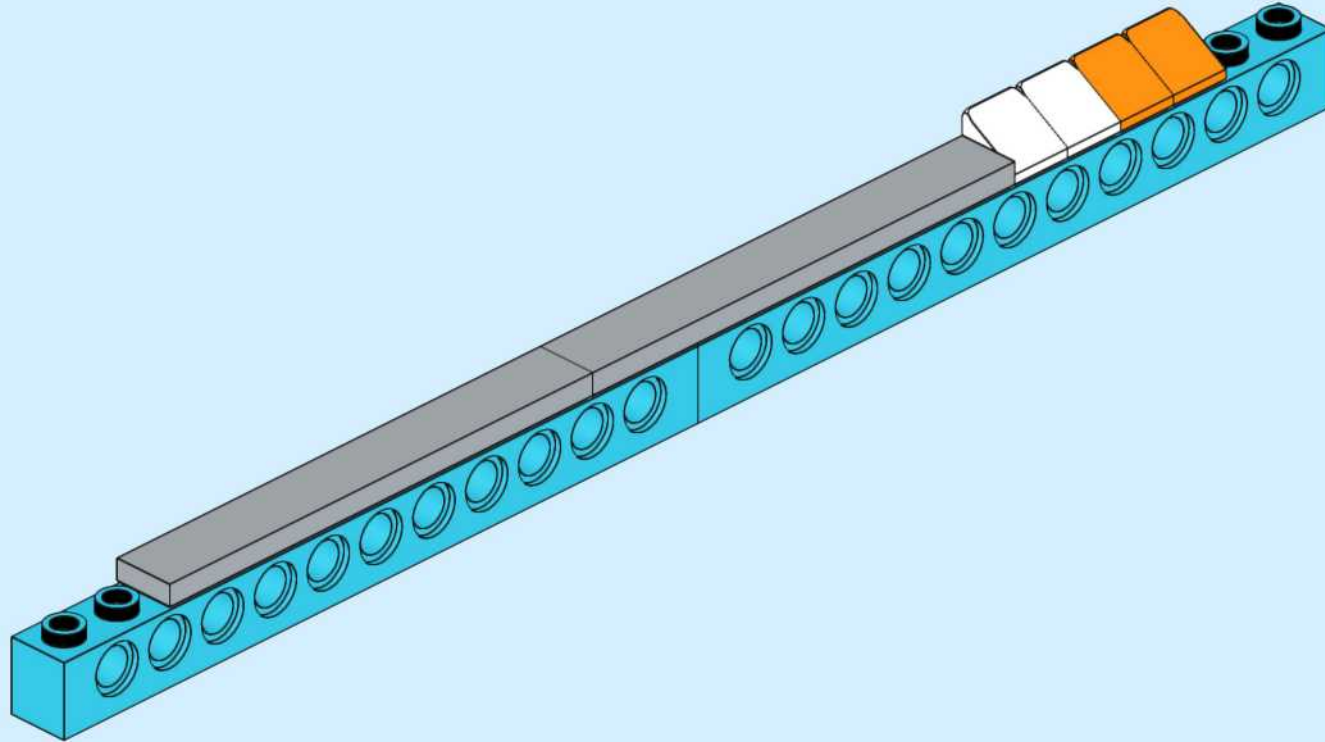
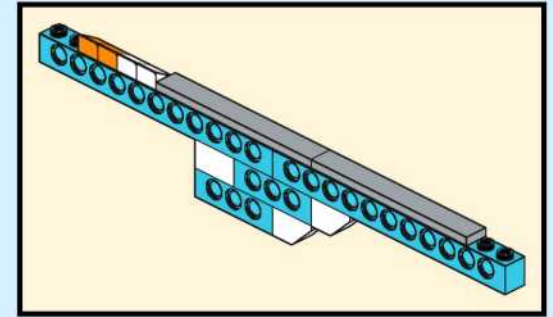
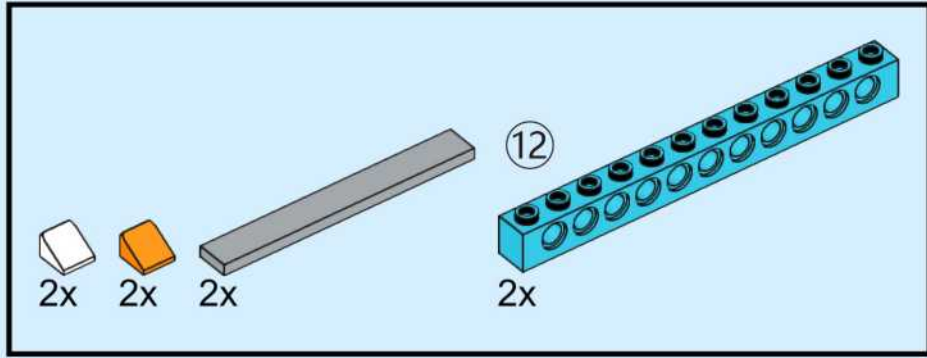
9



# 10

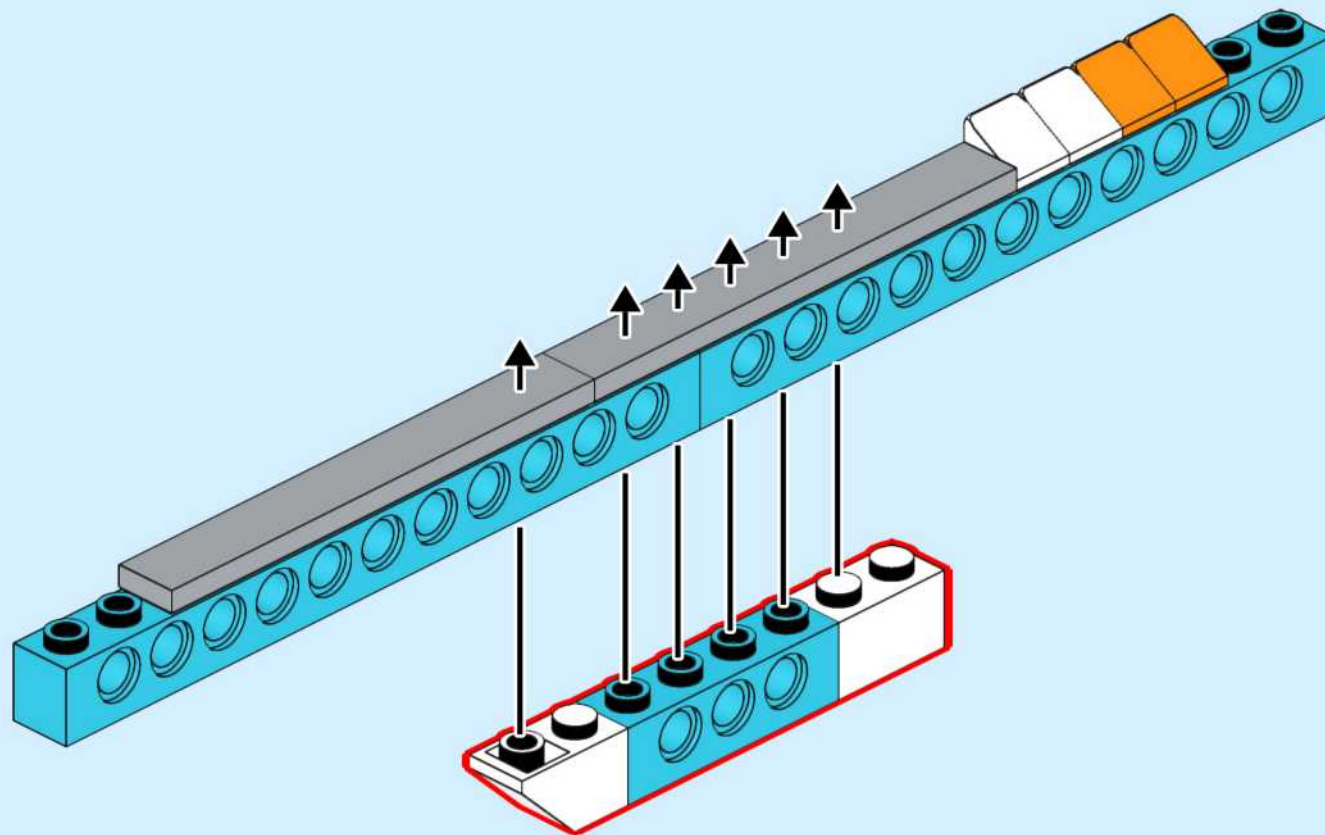
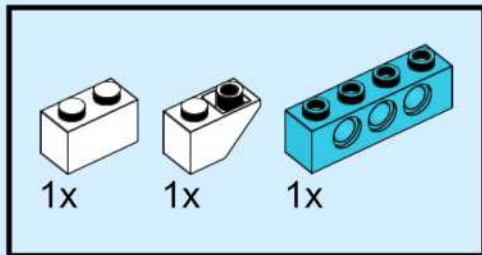


# 11

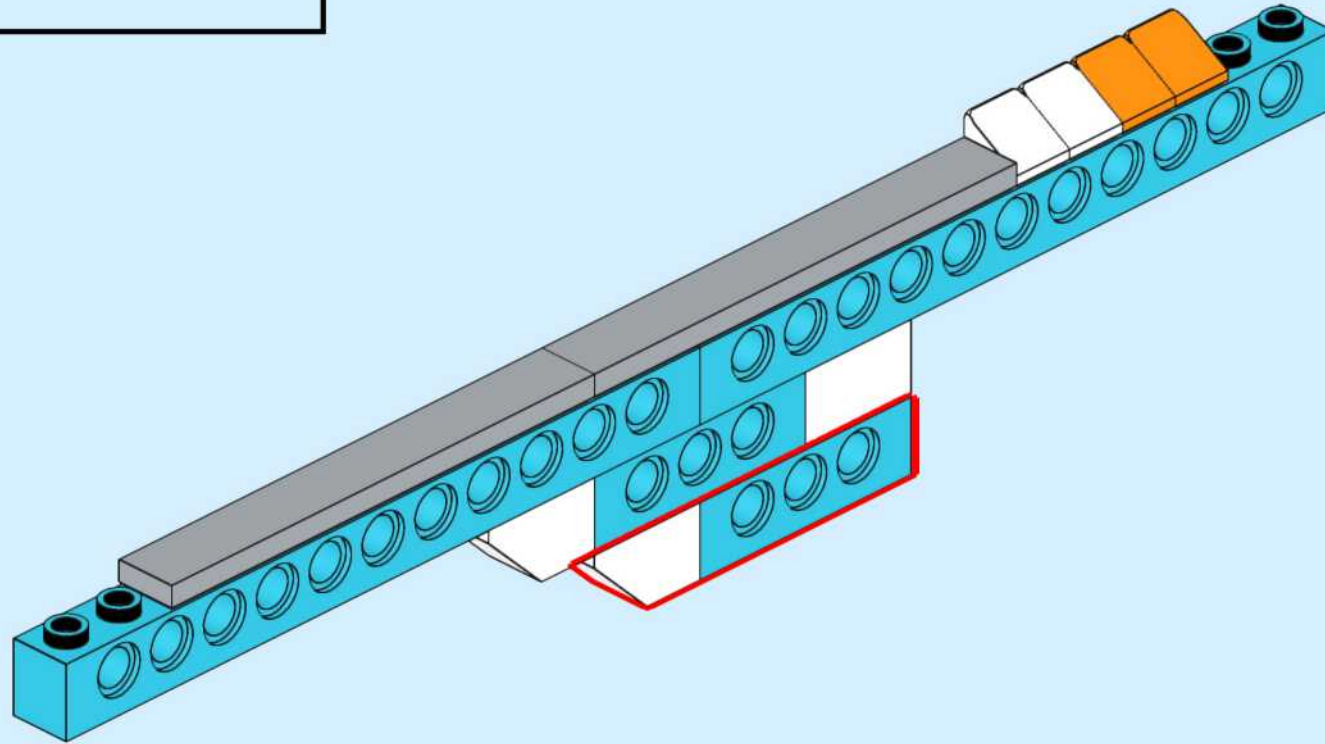
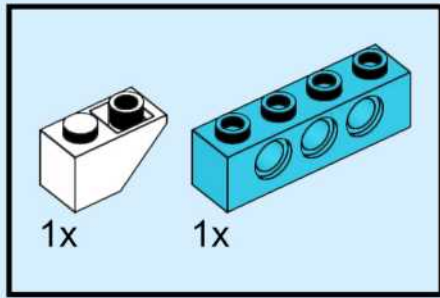




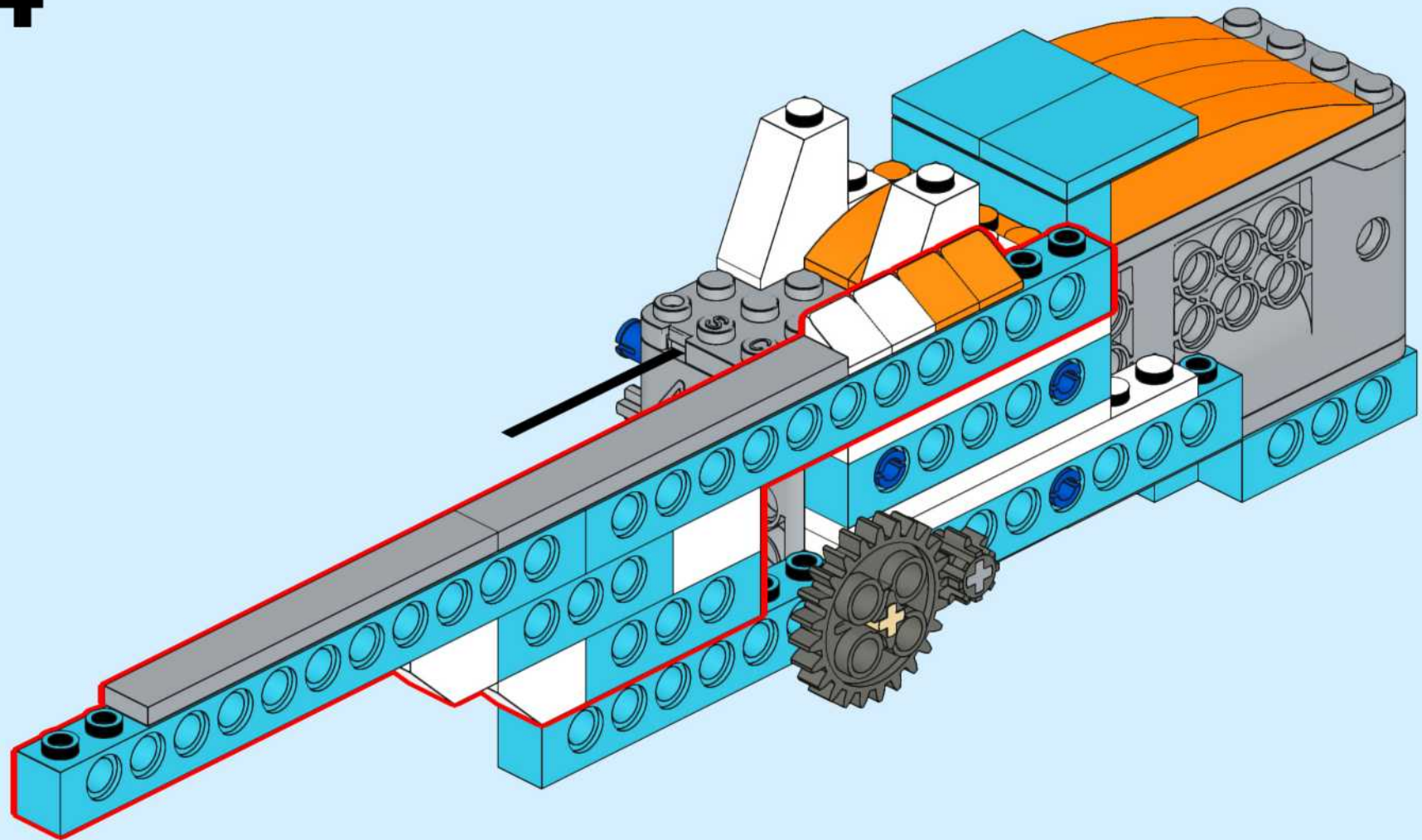
# 12



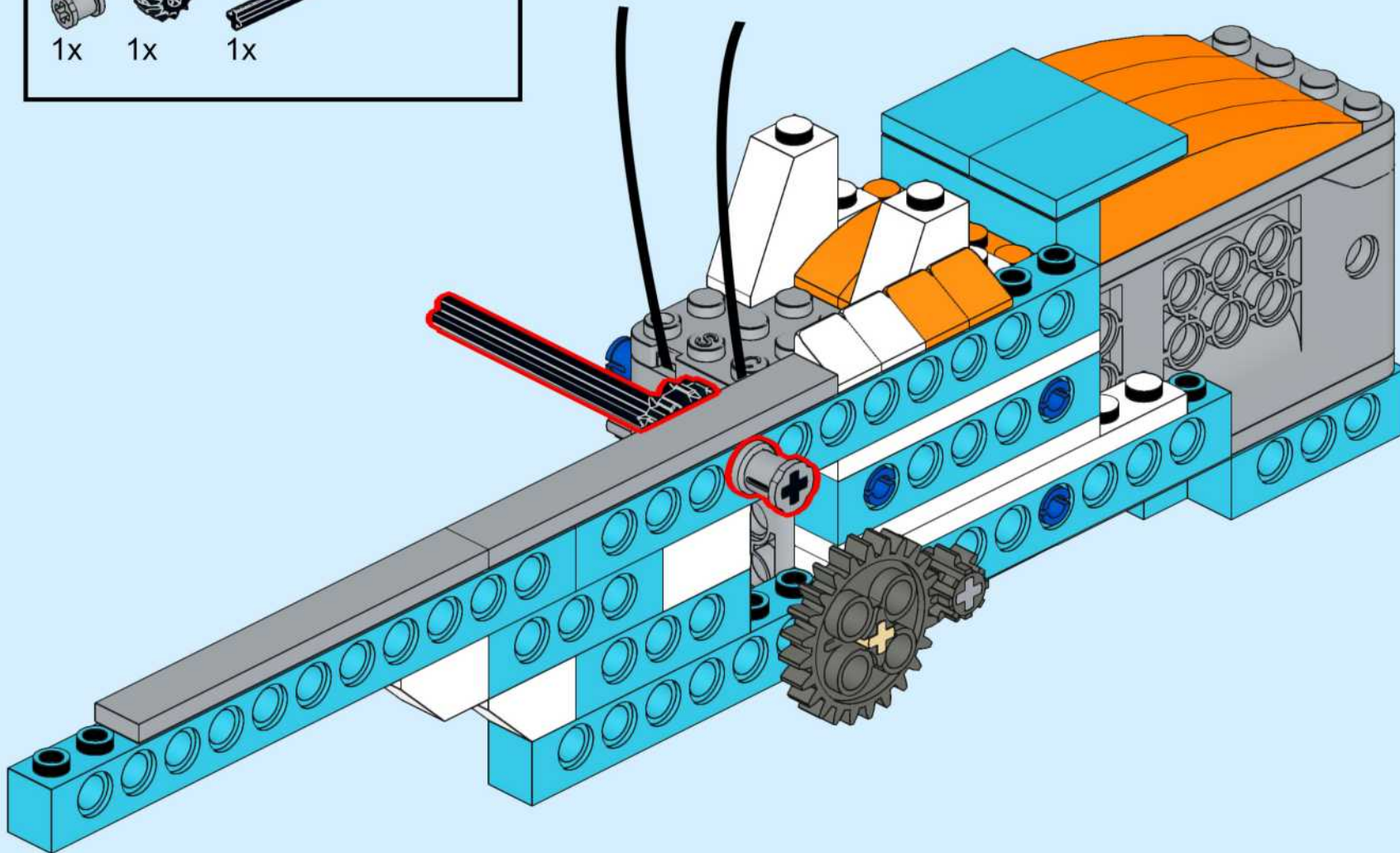
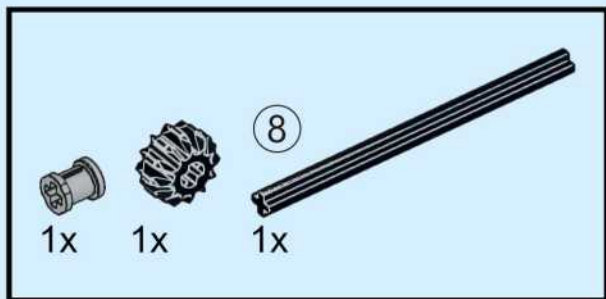
# 13



# 14

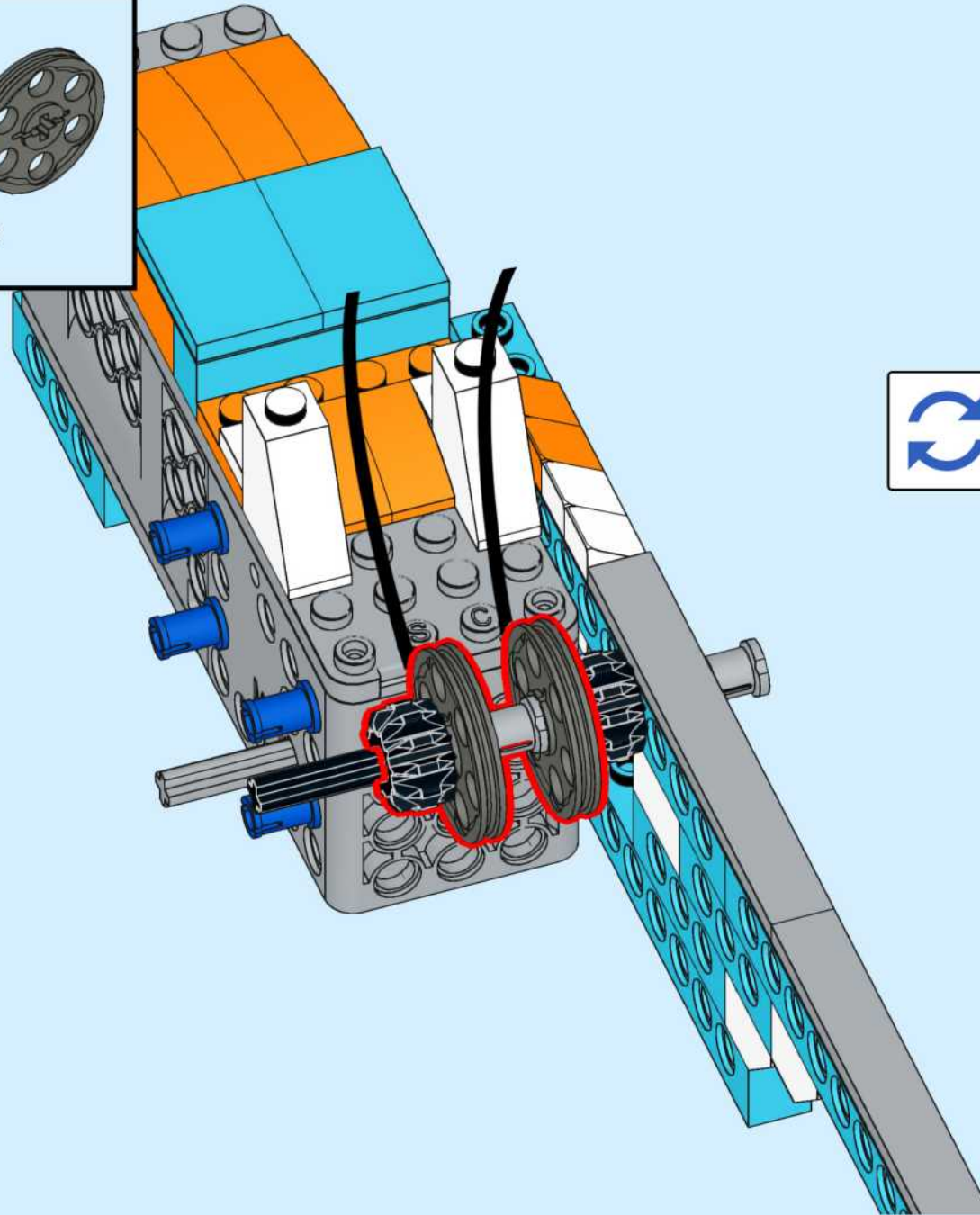
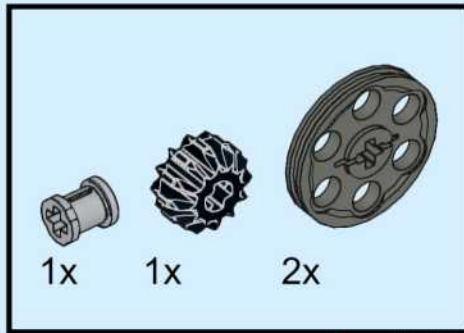


# 15



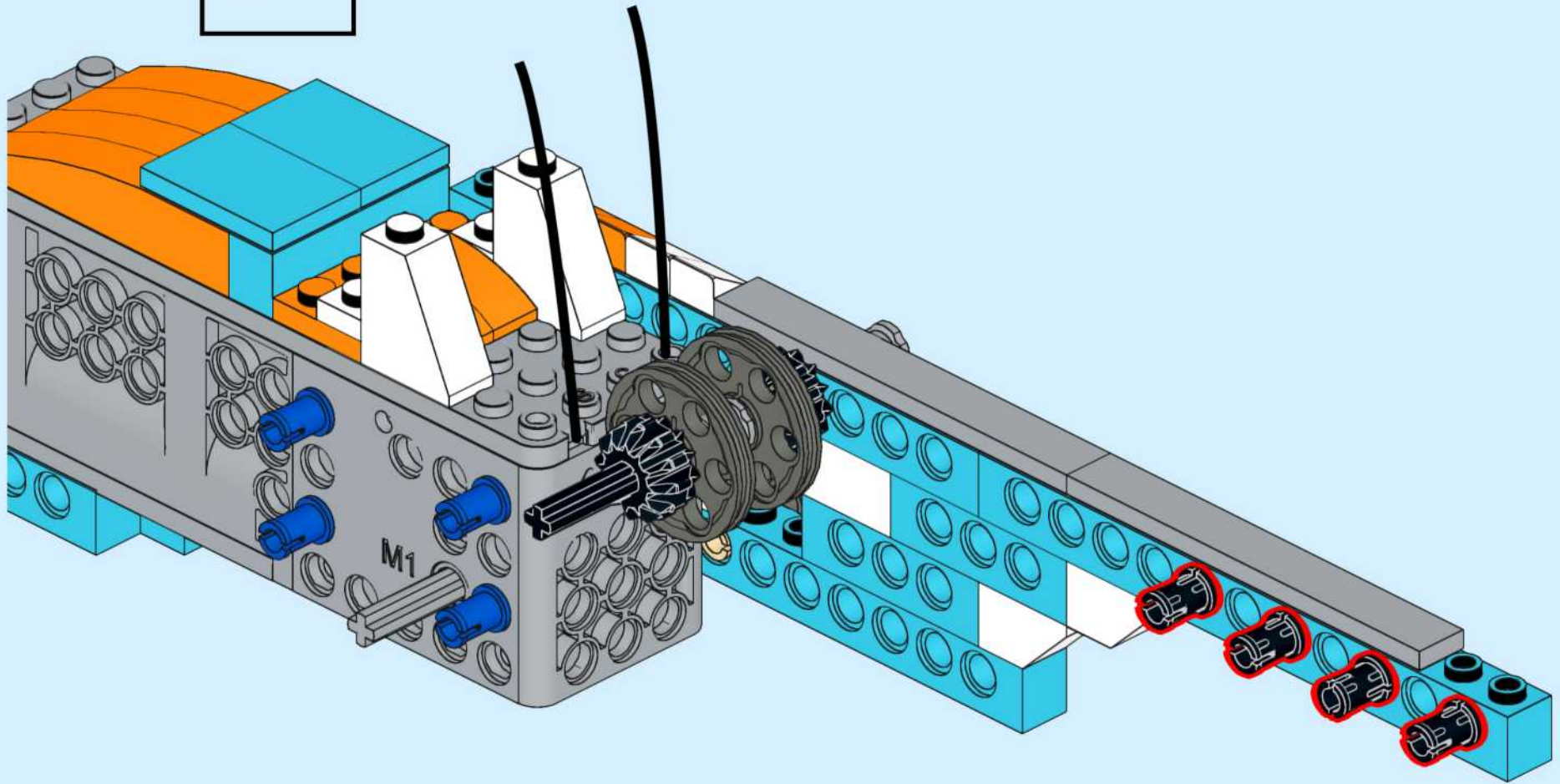
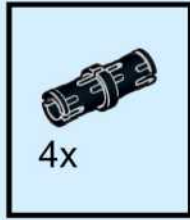


# 16

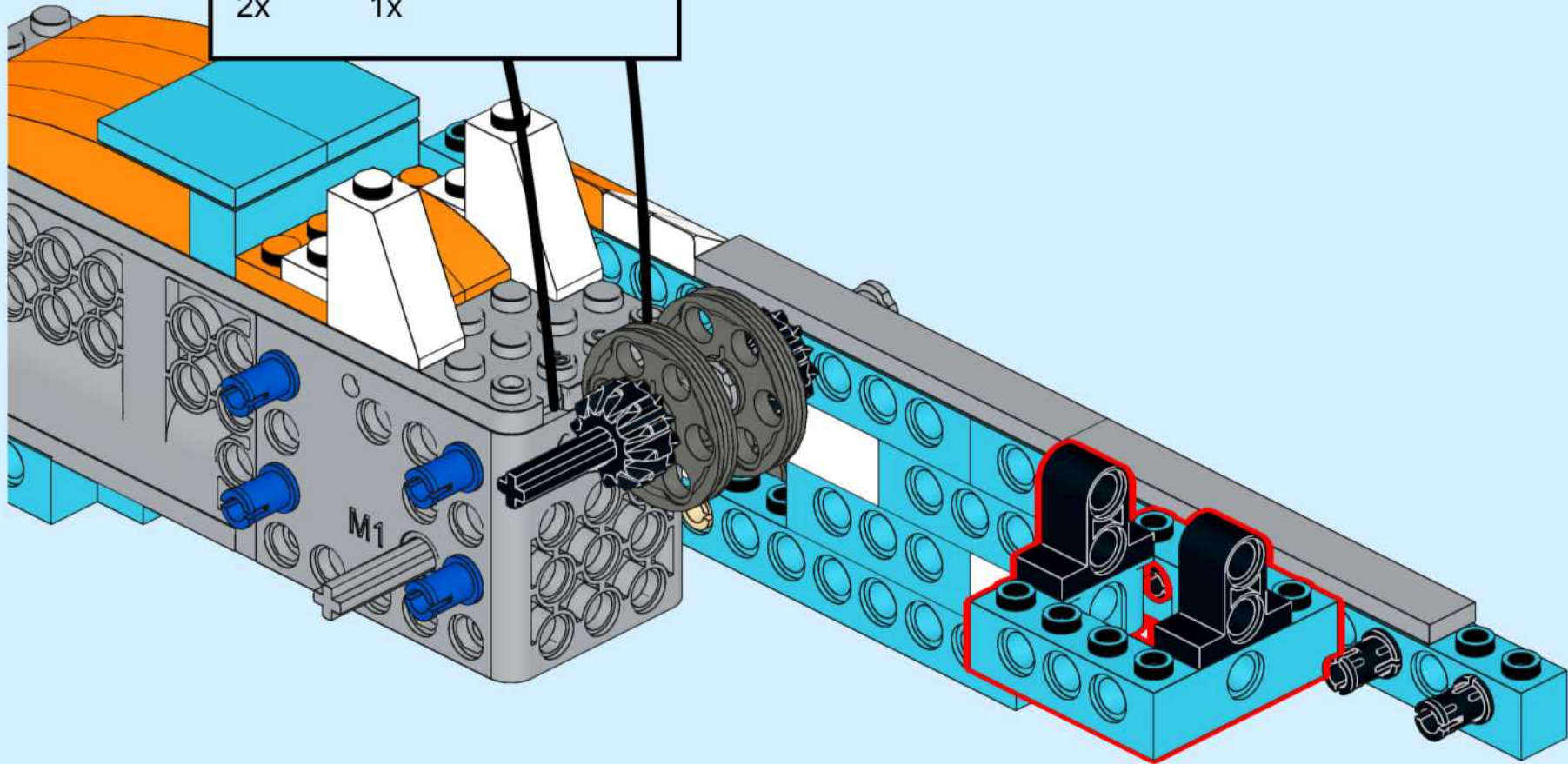
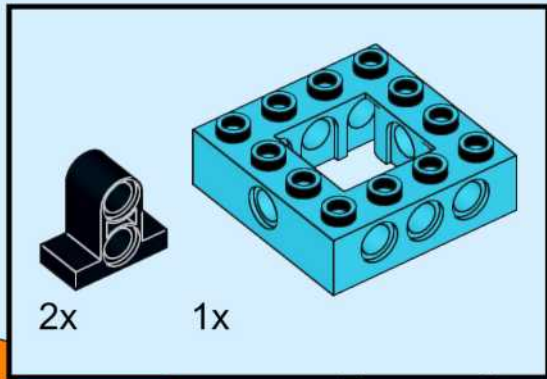




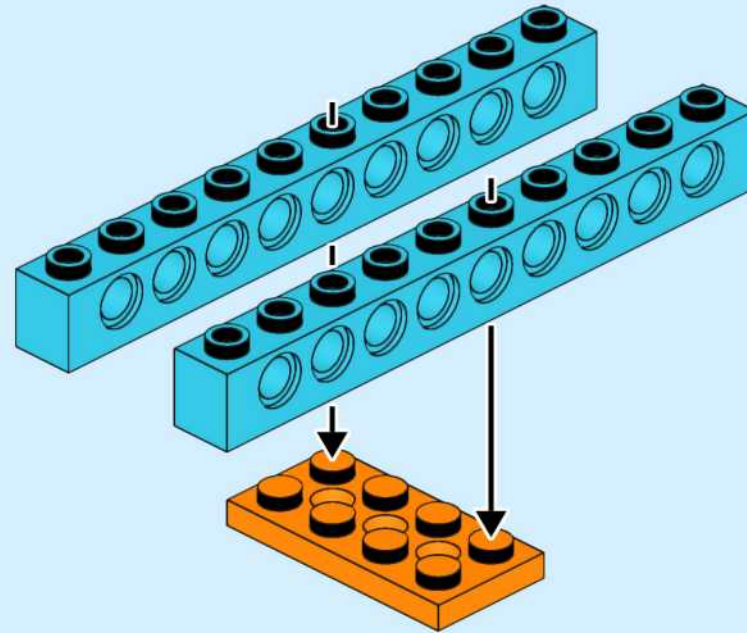
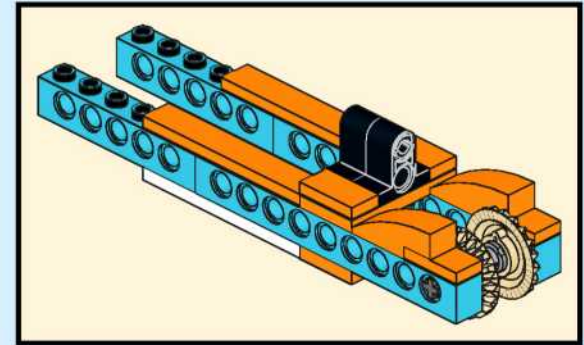
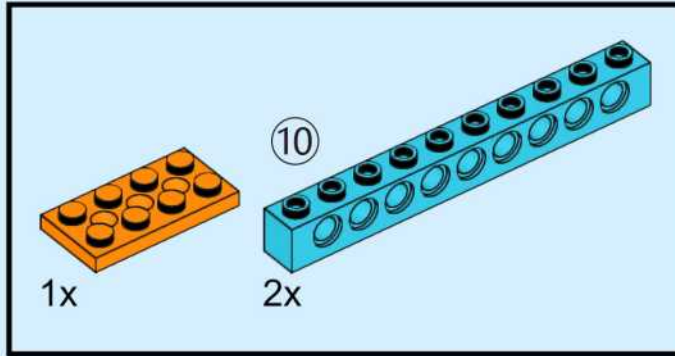
# 17



# 18

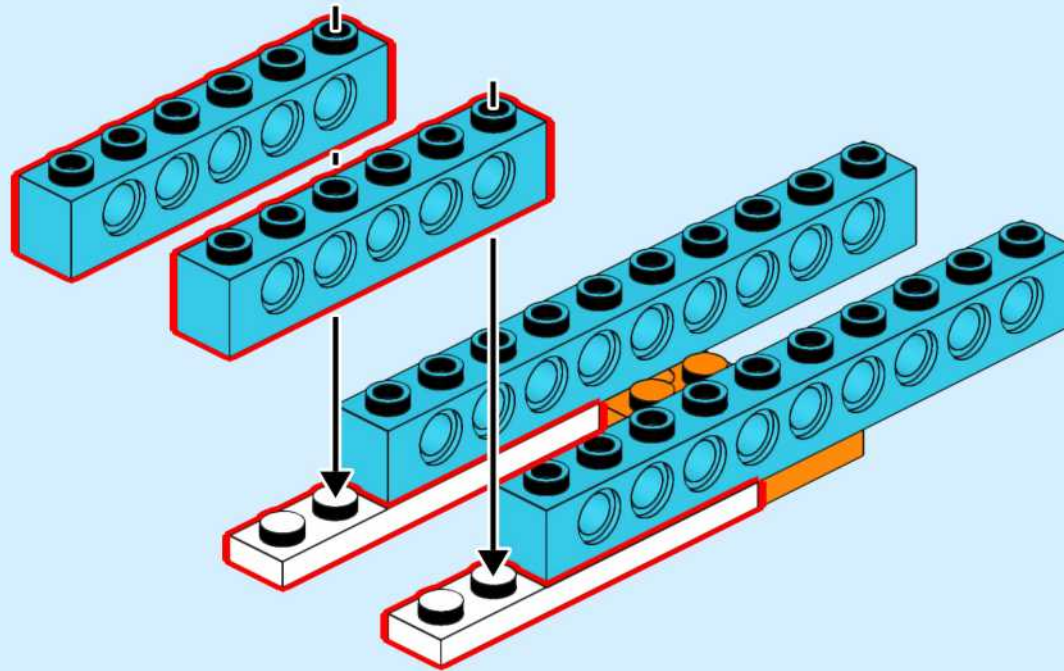
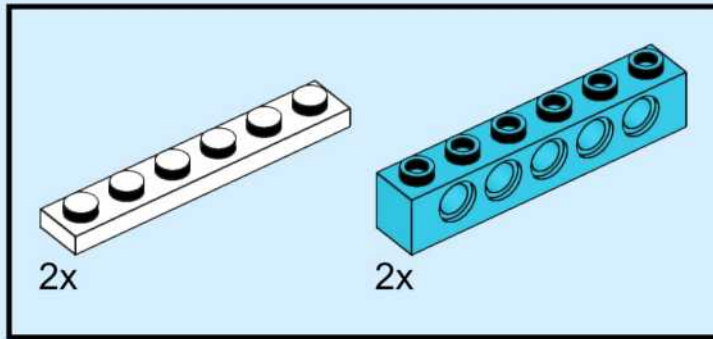


# 19

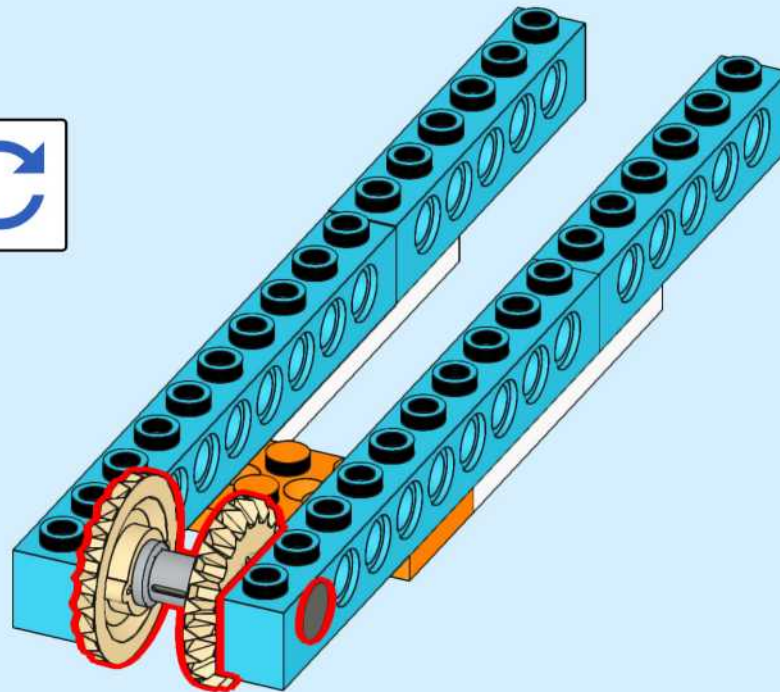
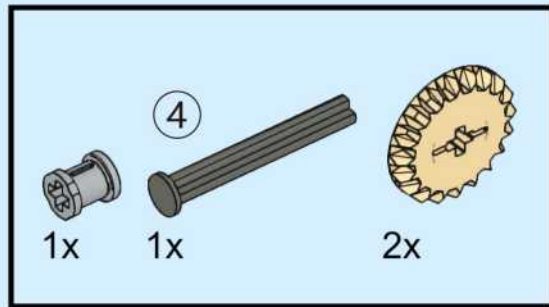




# 20

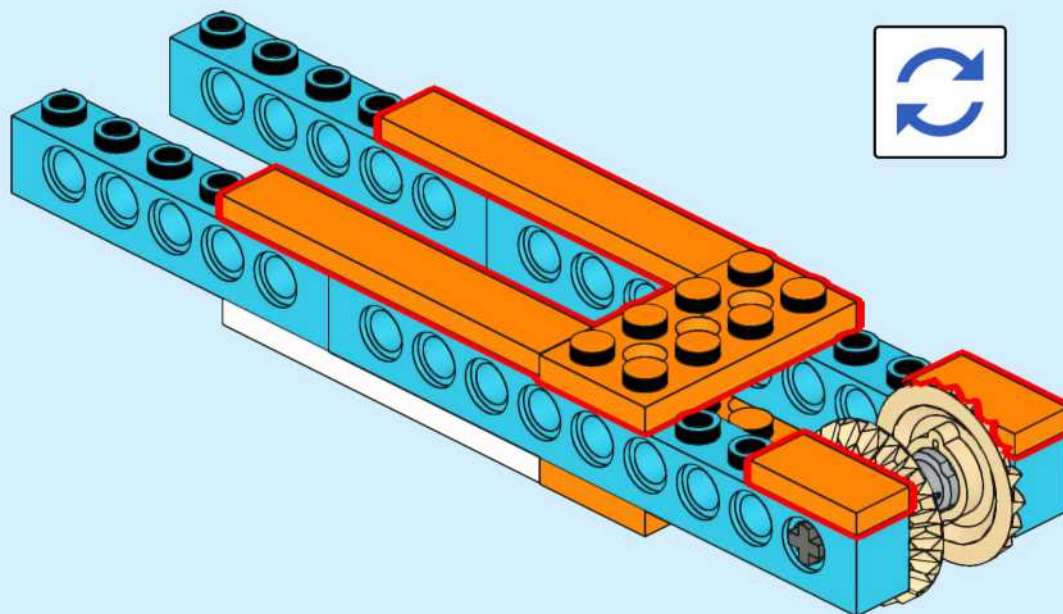
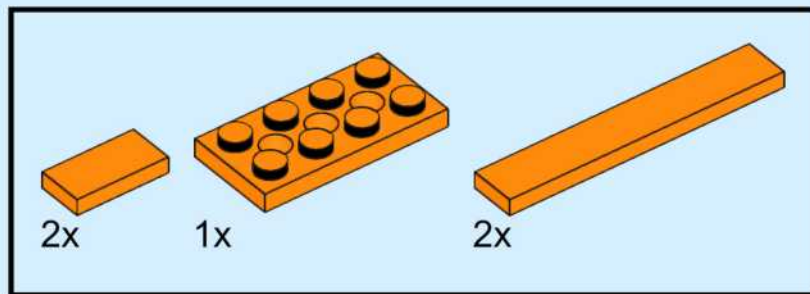


# 21

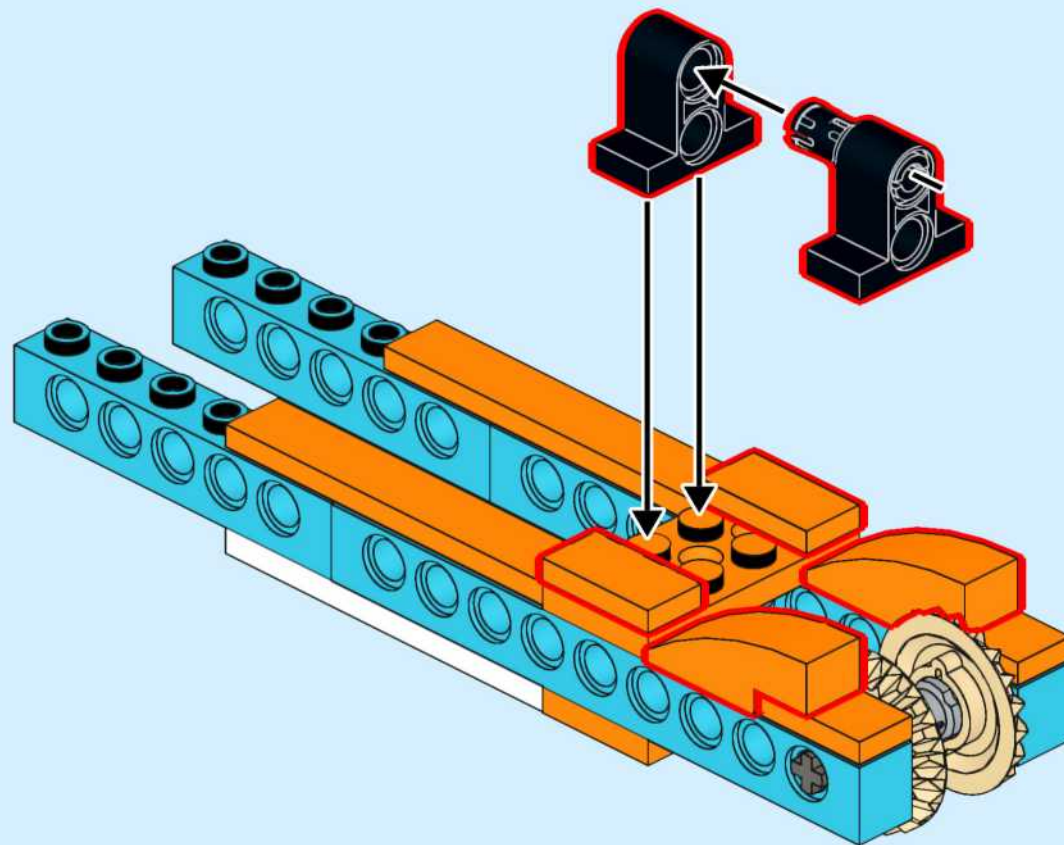
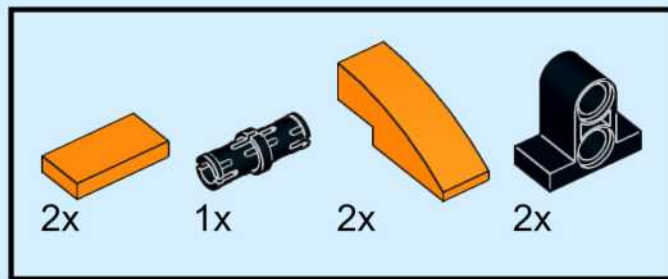




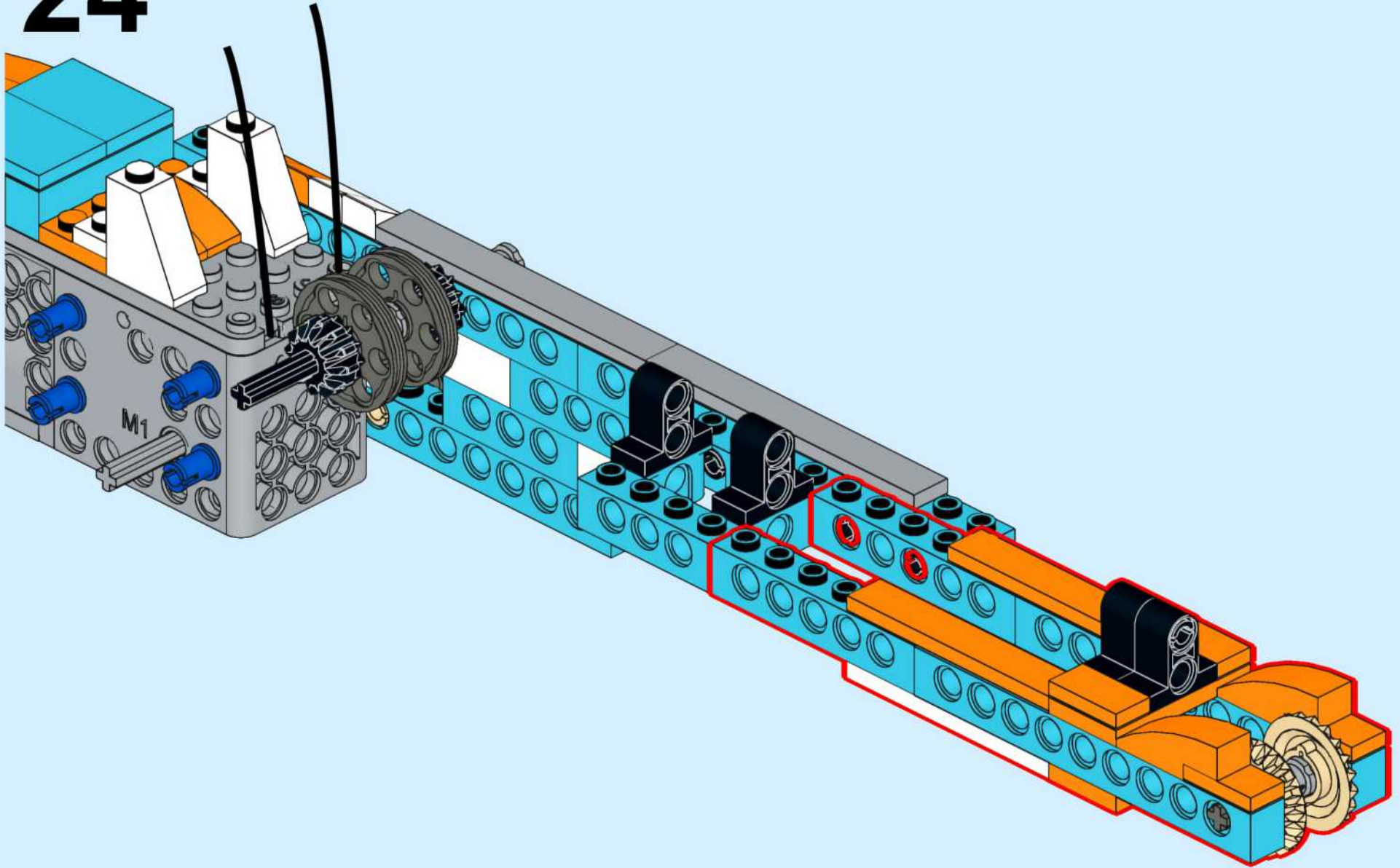
# 22



# 23

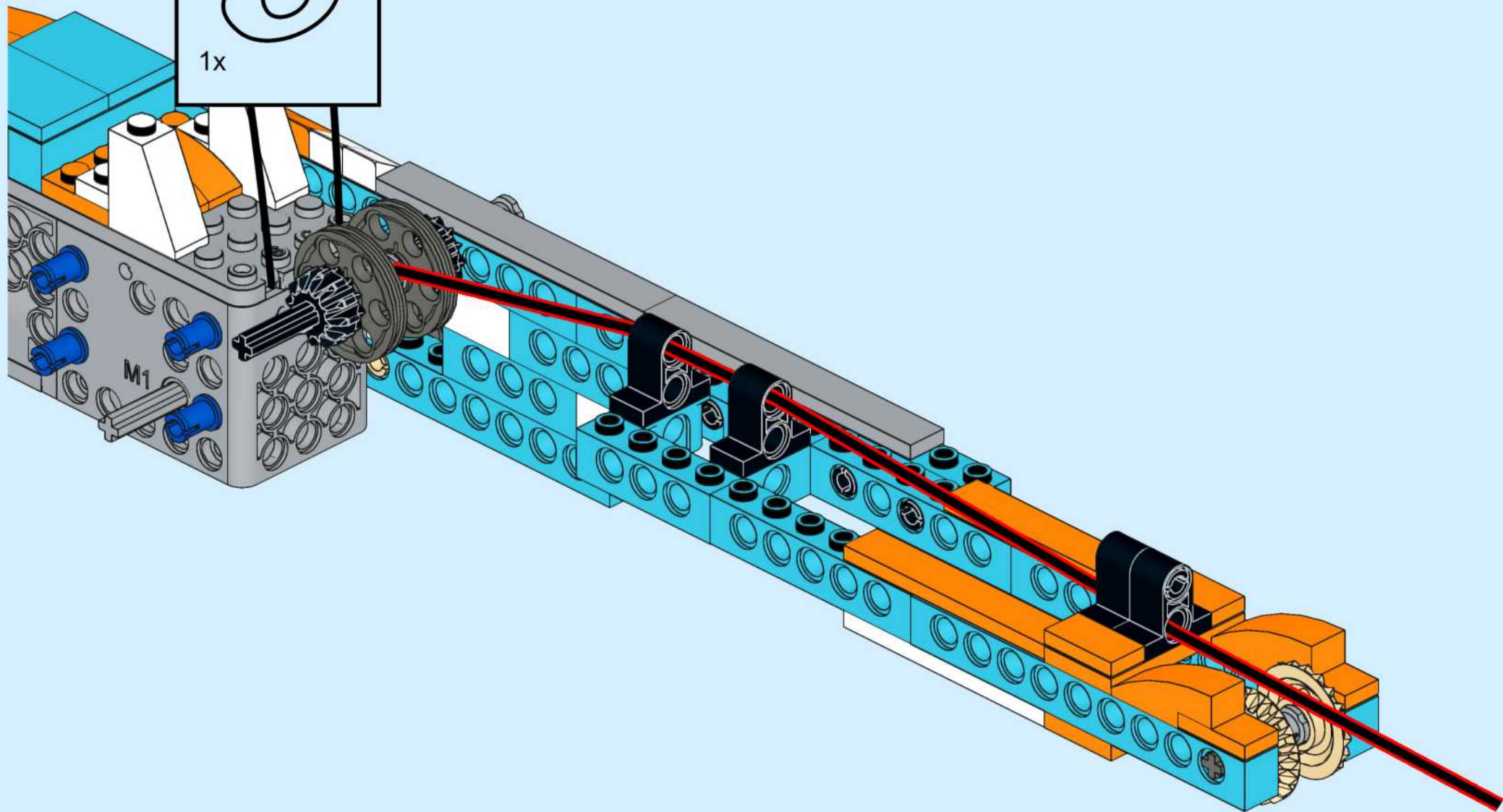
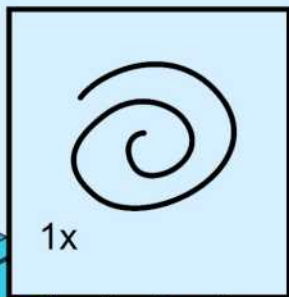


24



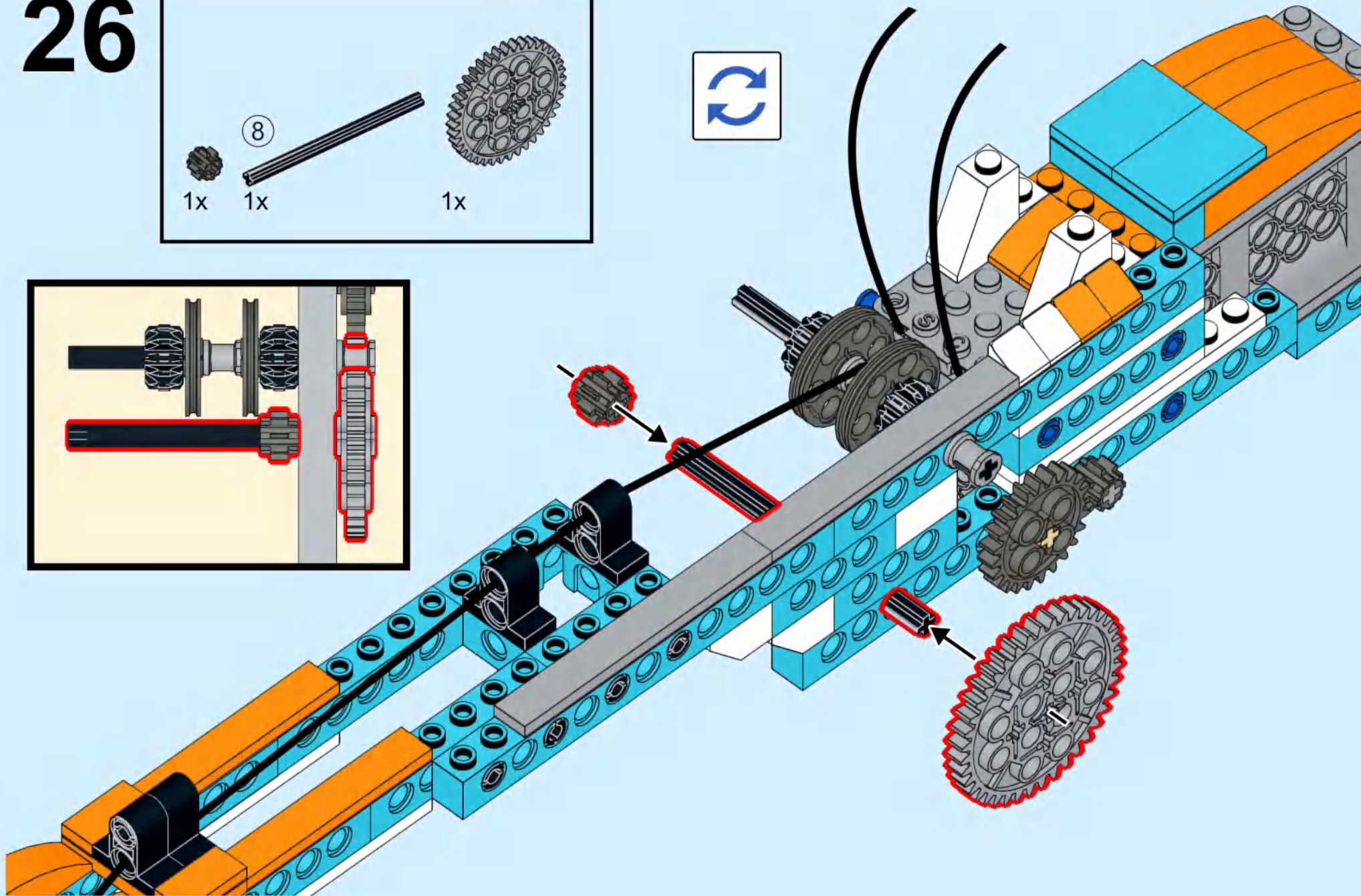
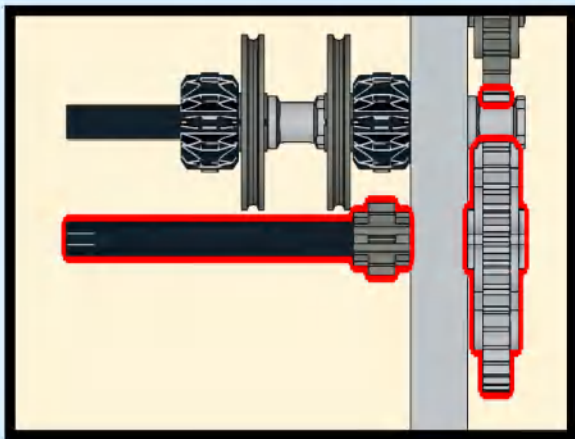
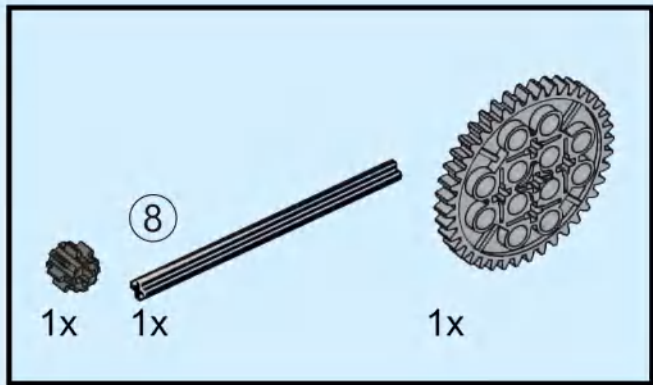


# 25

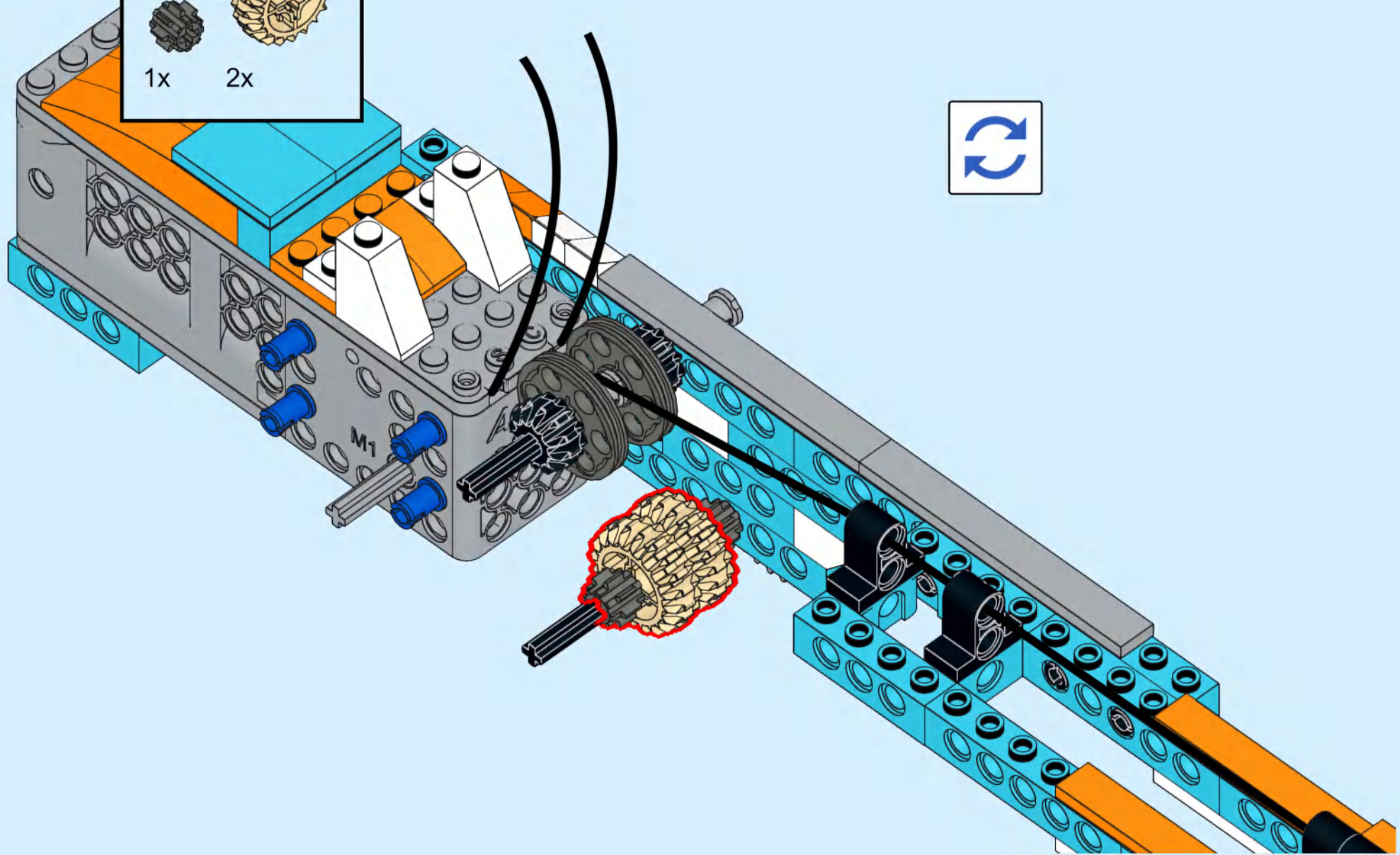
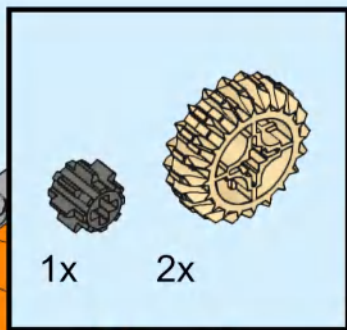




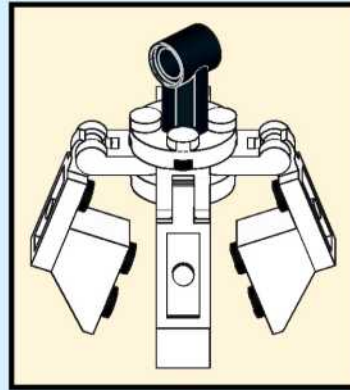
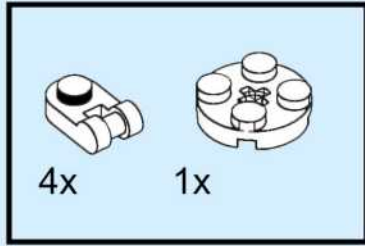
# 26



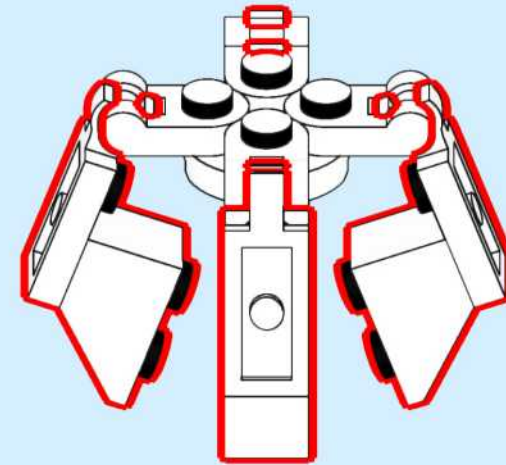
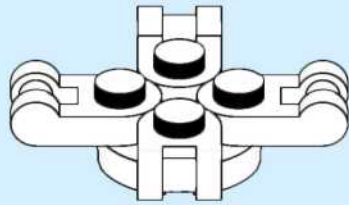
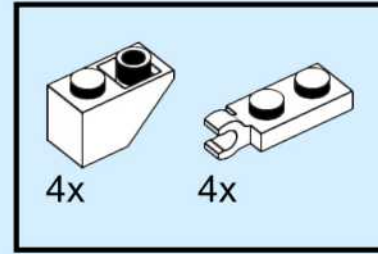
# 27



# 28

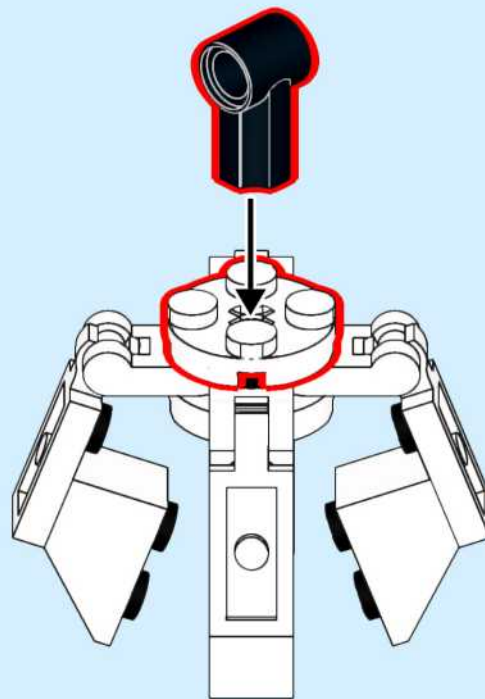
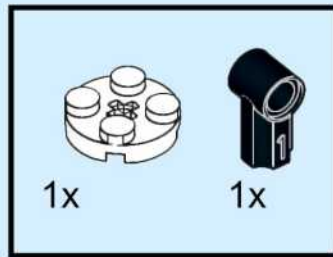


# 29



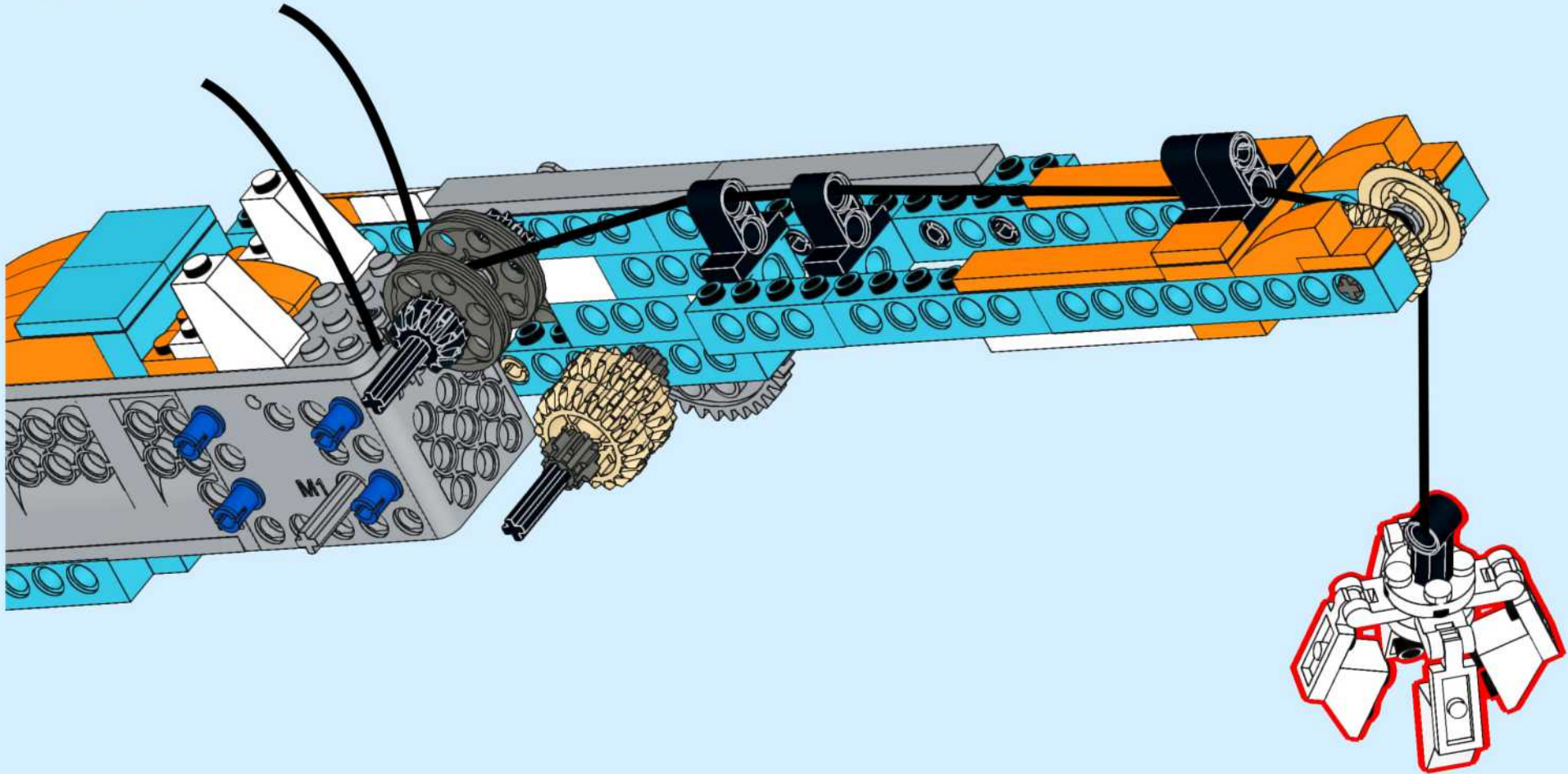


# 30

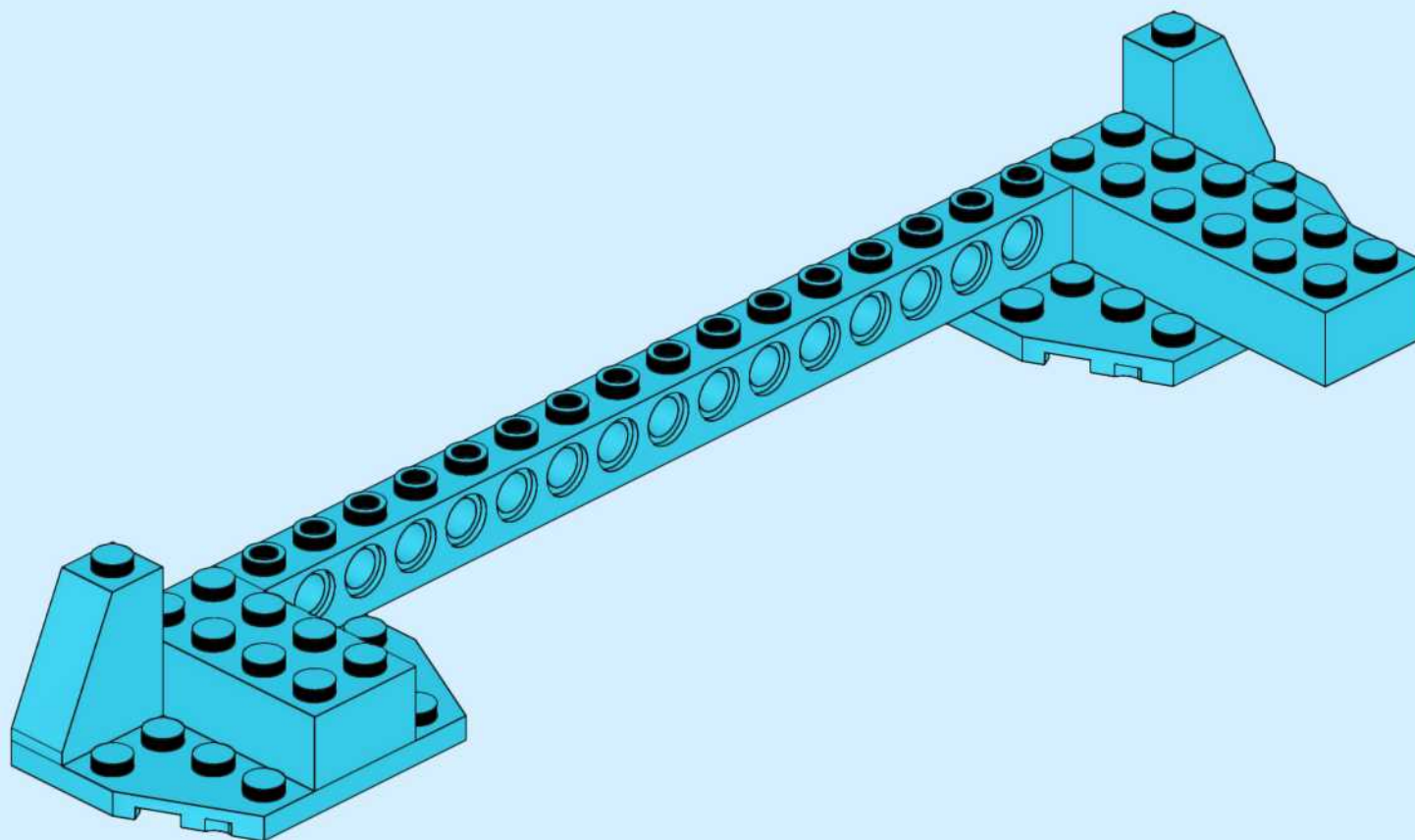
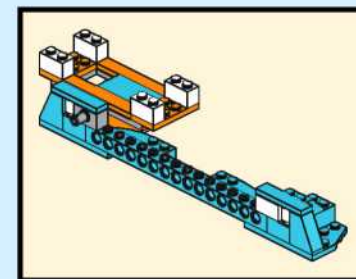
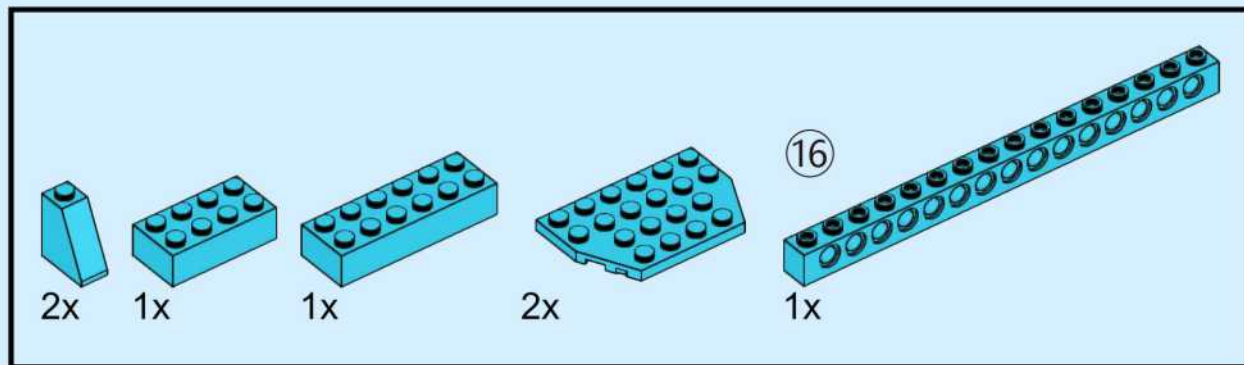




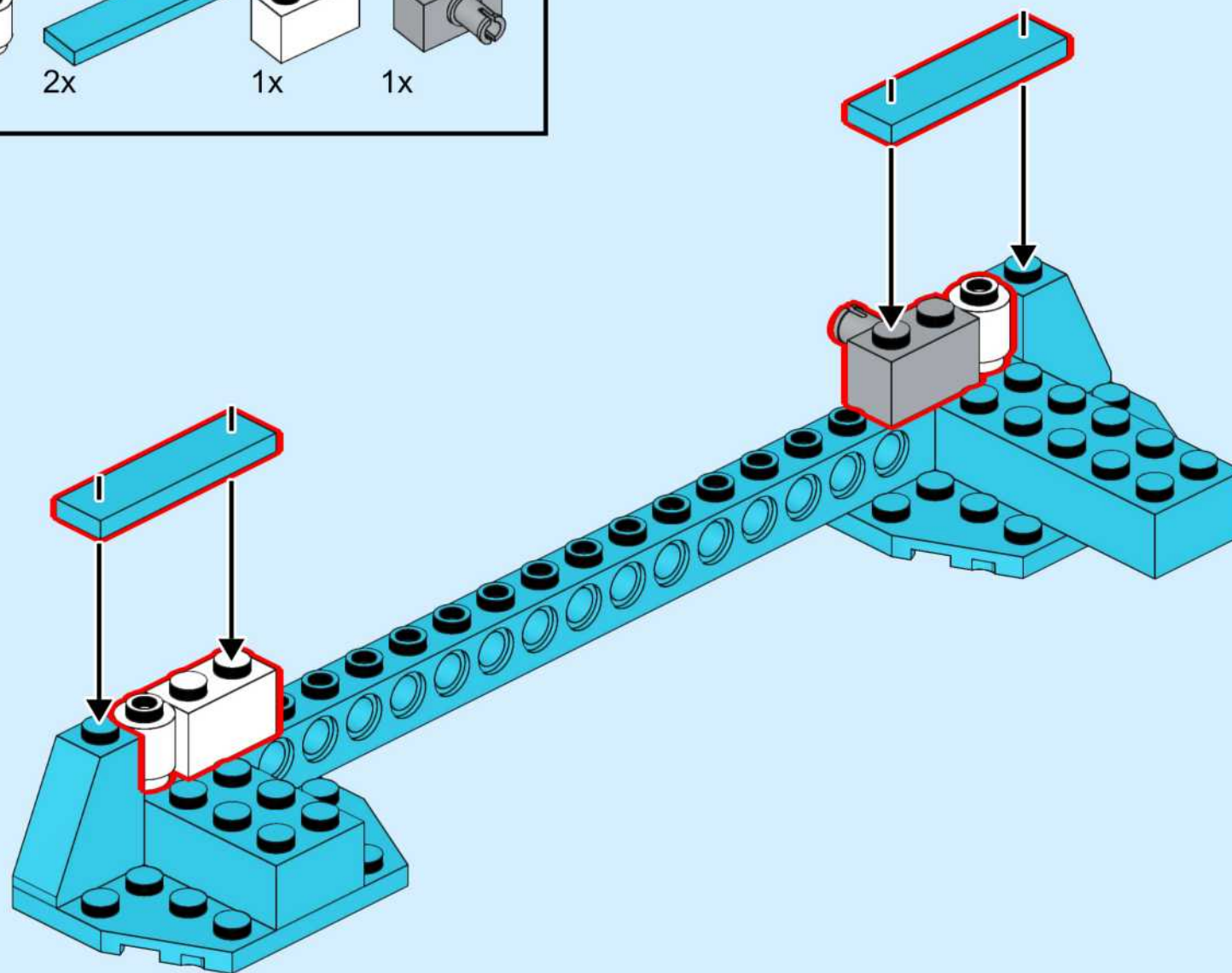
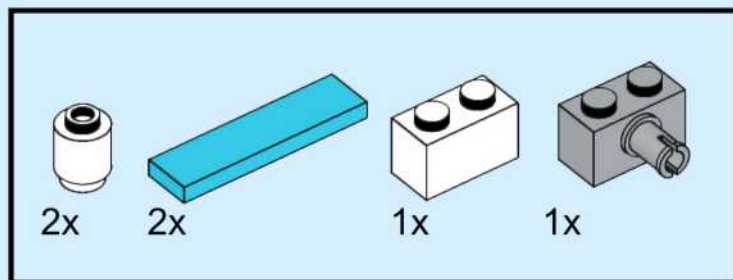
# 31



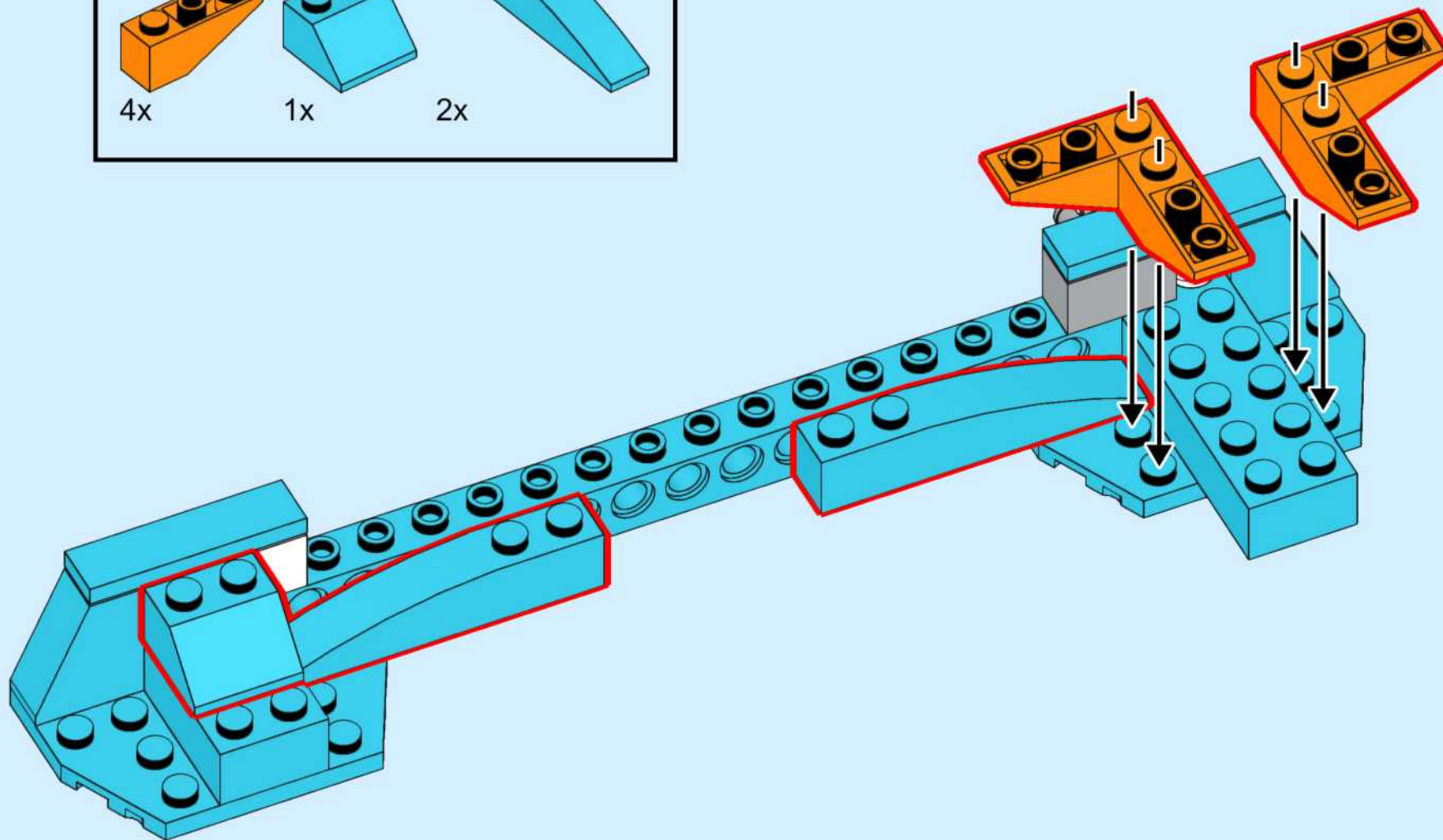
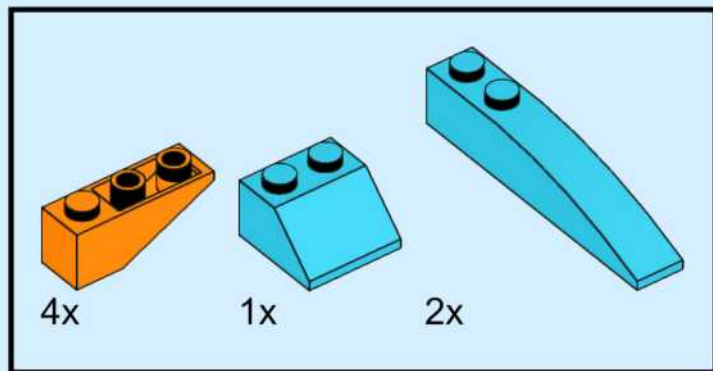
# 32



# 33

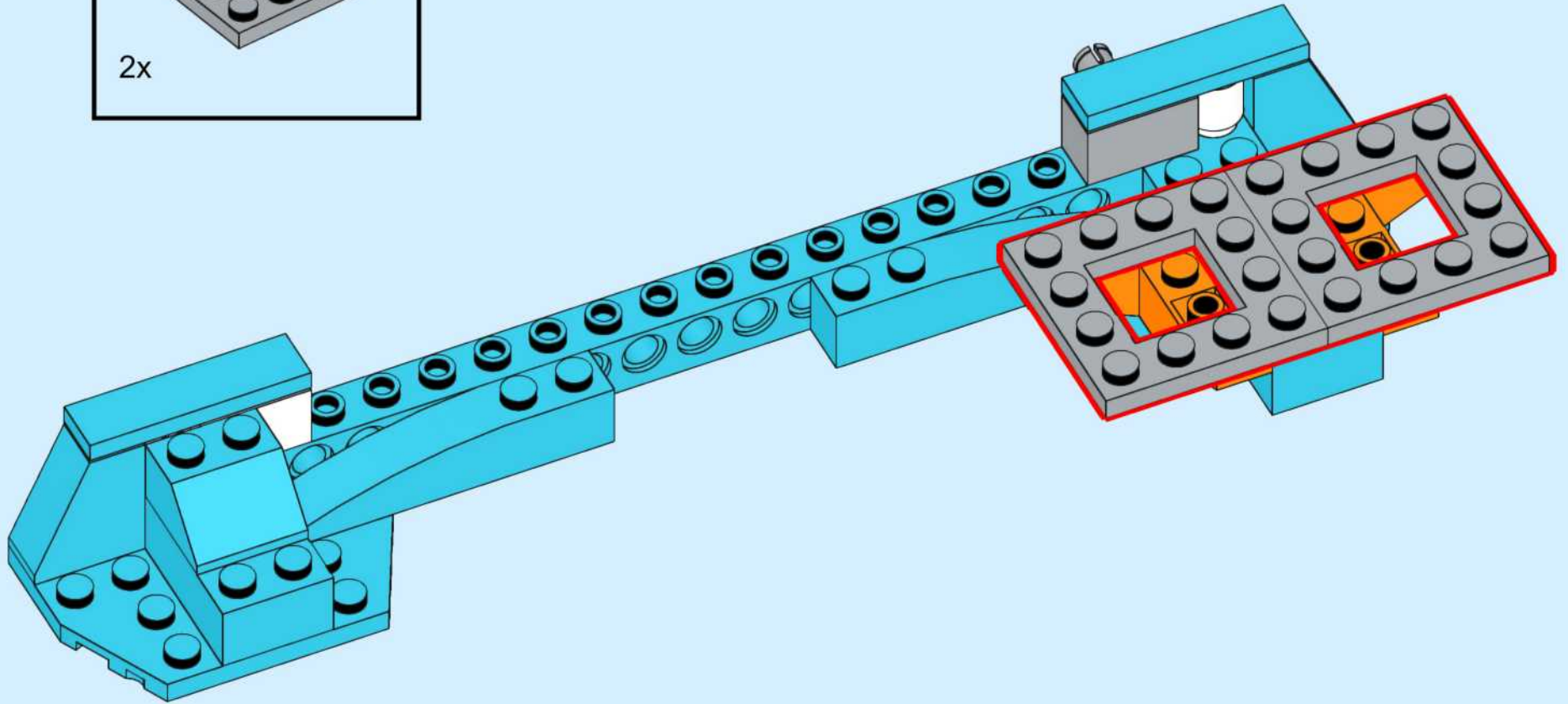
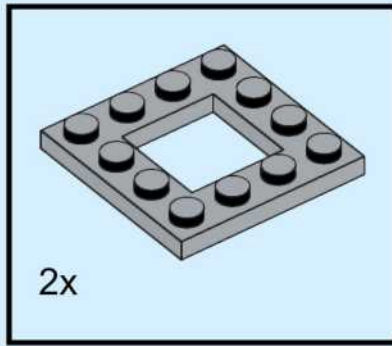


# 34

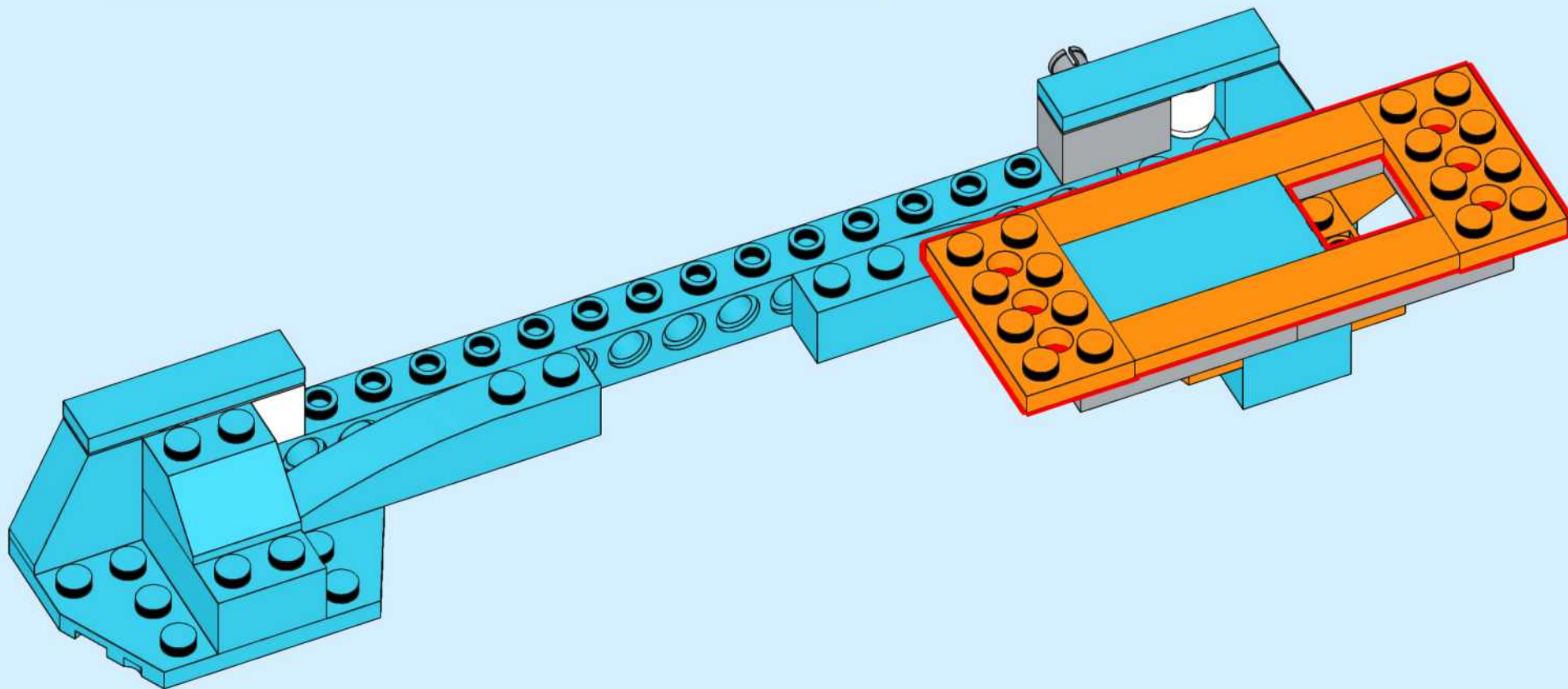
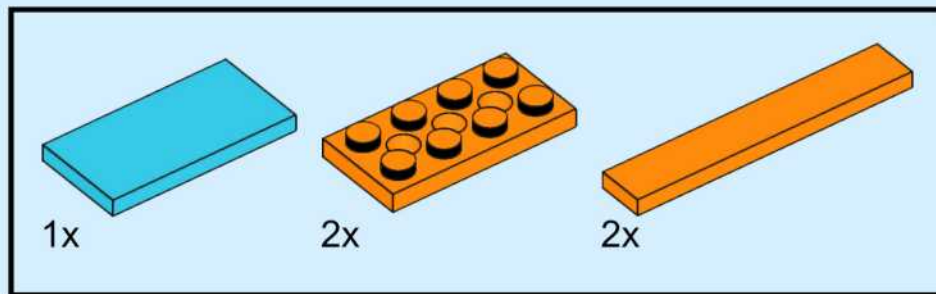




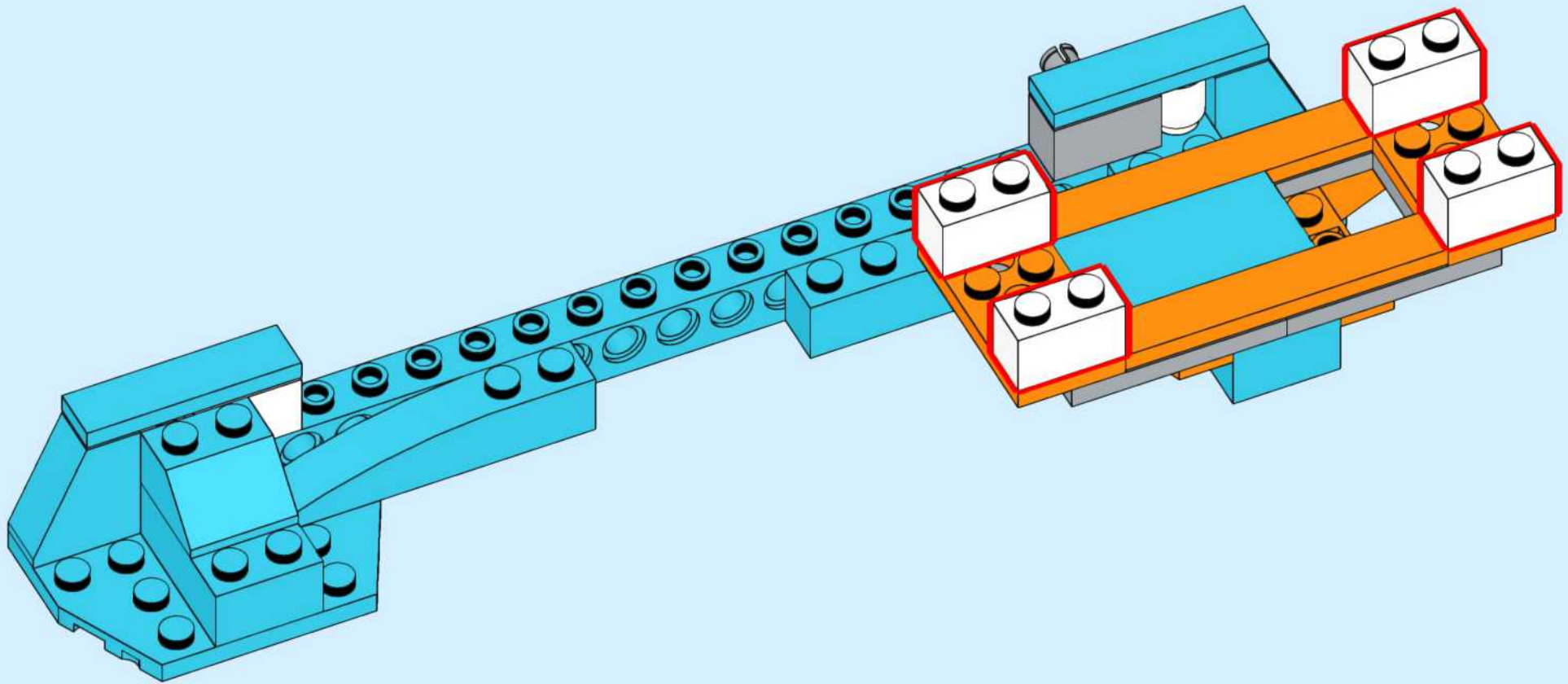
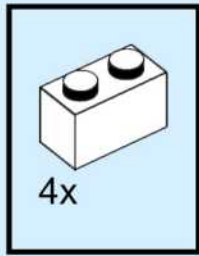
# 35



# 36

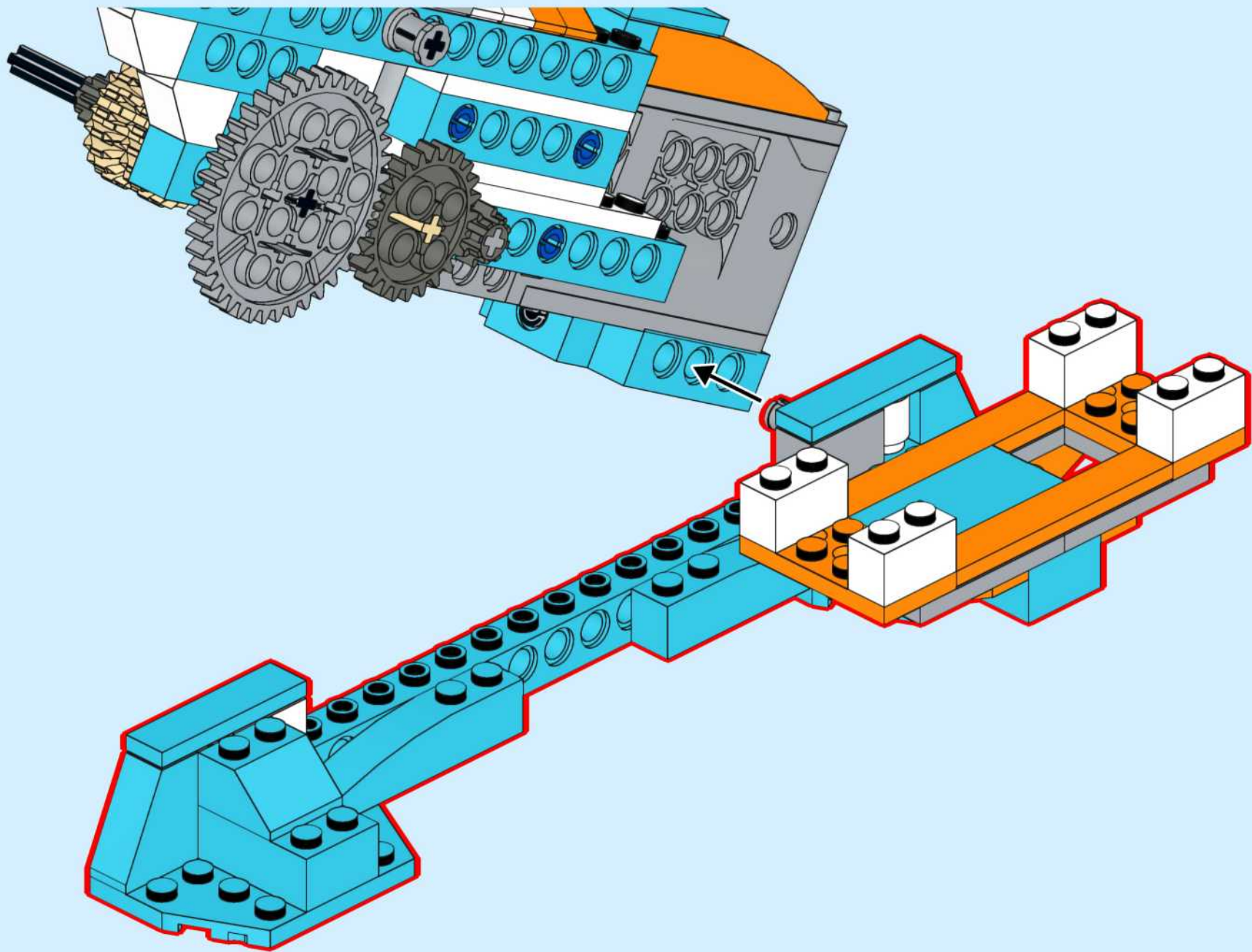


# 37



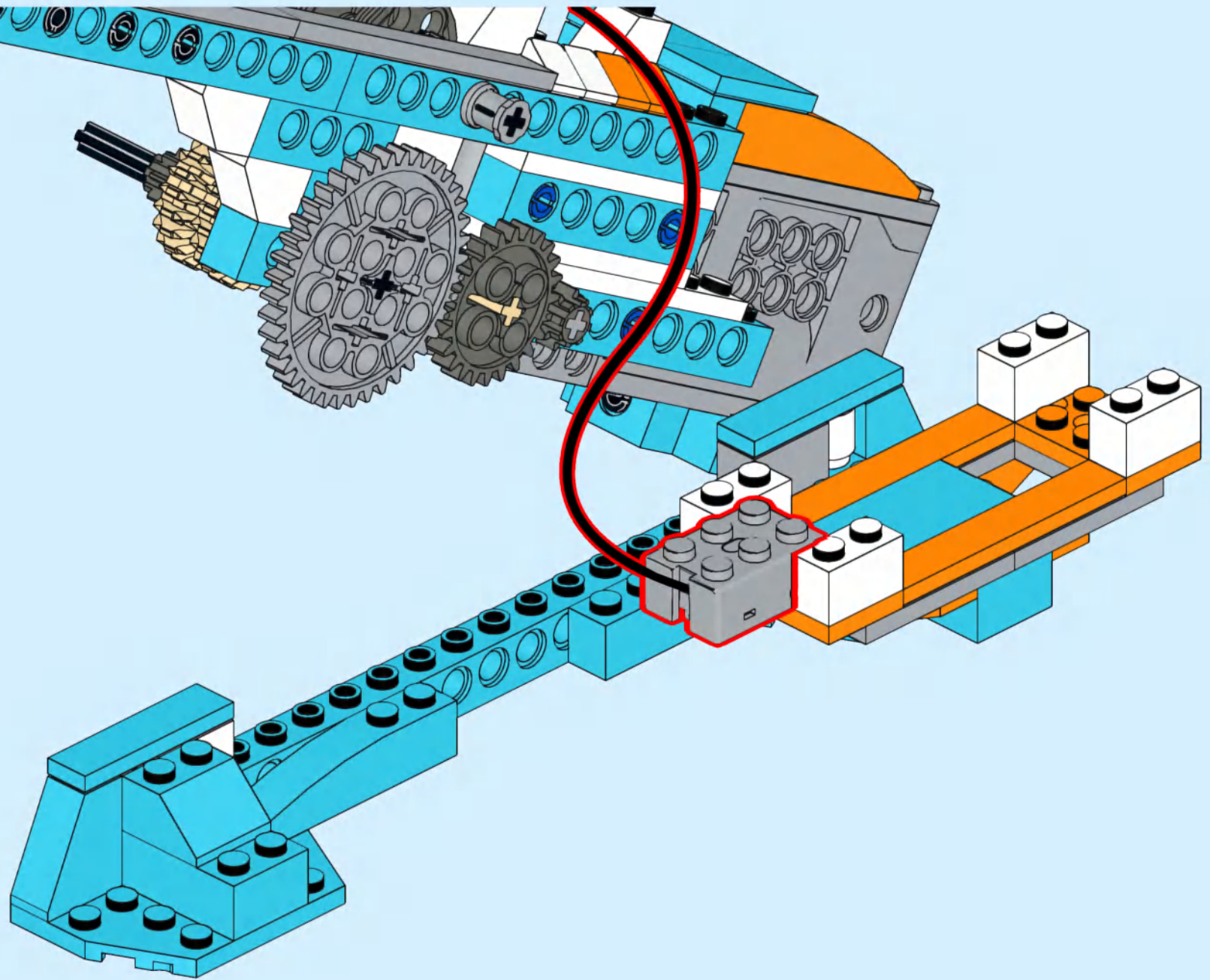


38

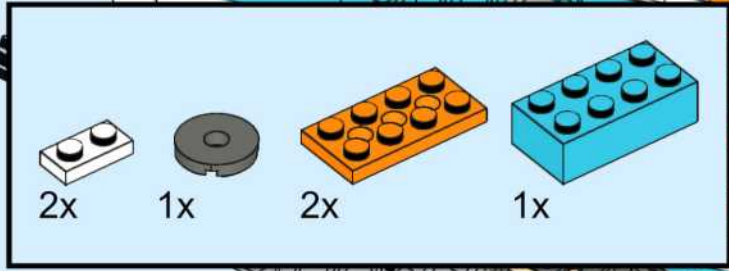




39

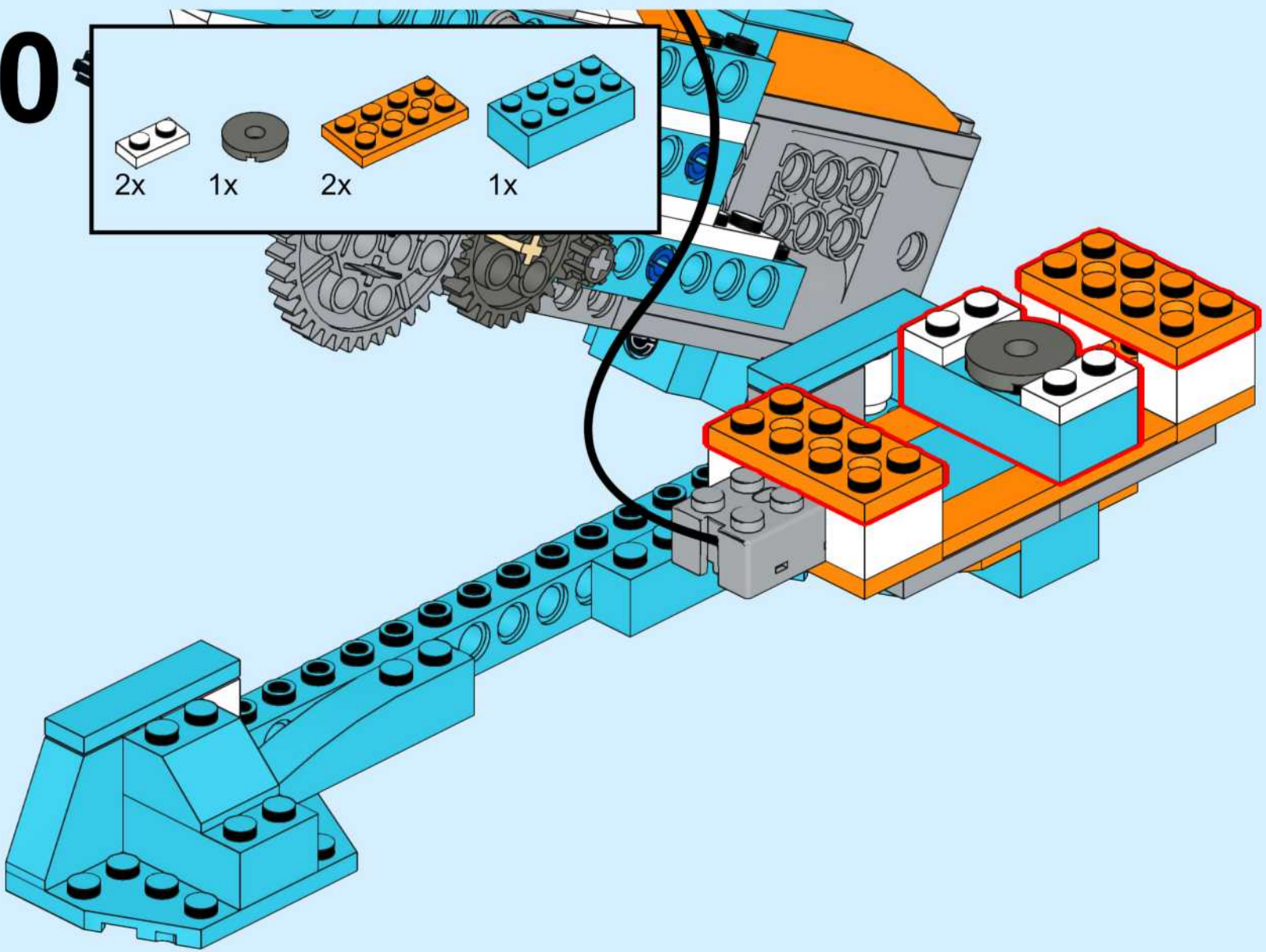


# 40

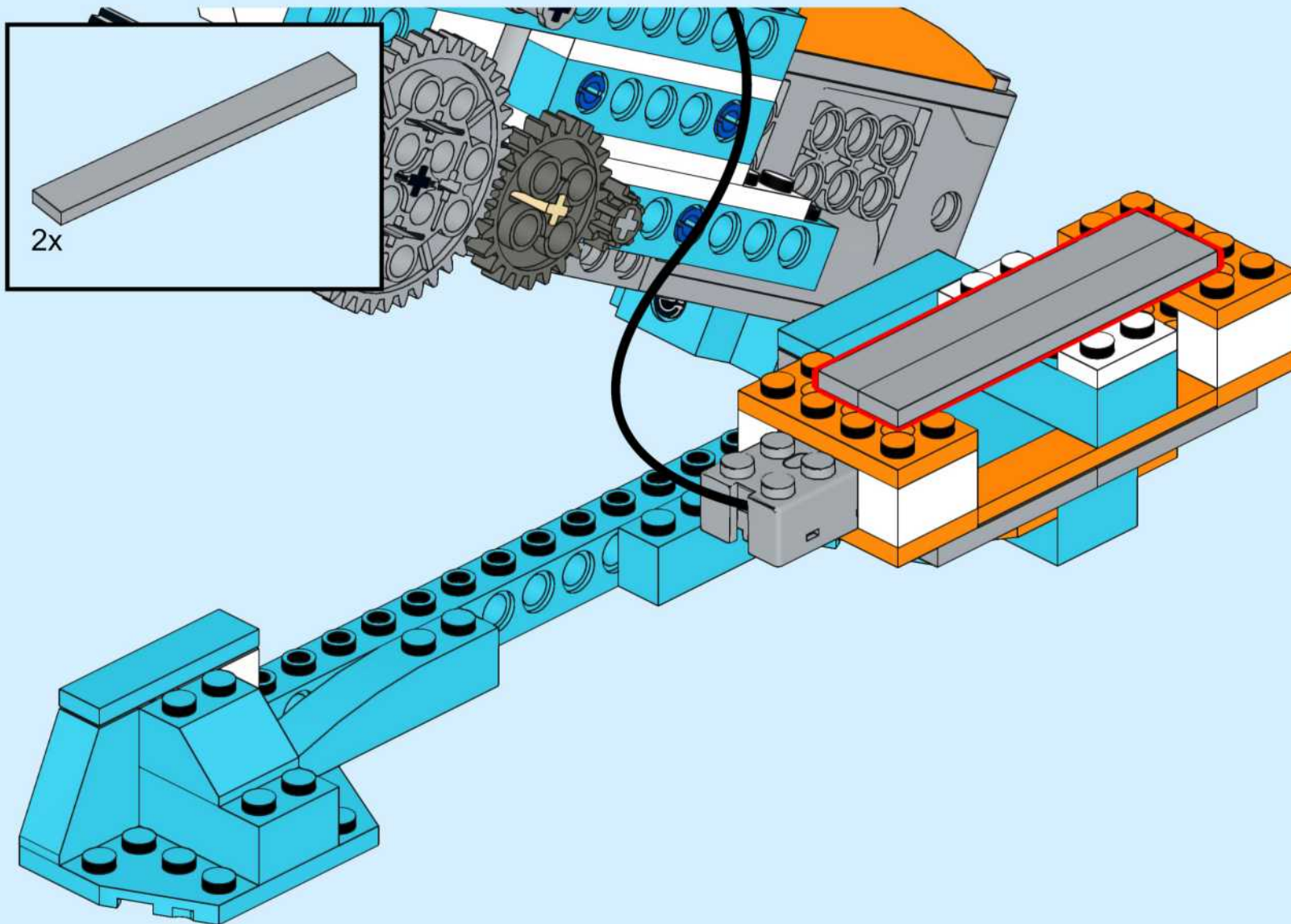


2x  
1x  
2x  
1x

This inset box lists the parts required for step 40: two white 1x2 Technic pins, one grey Technic bush, two orange 1x4 Technic Technic plates, and one blue 1x4 Technic Technic plate.

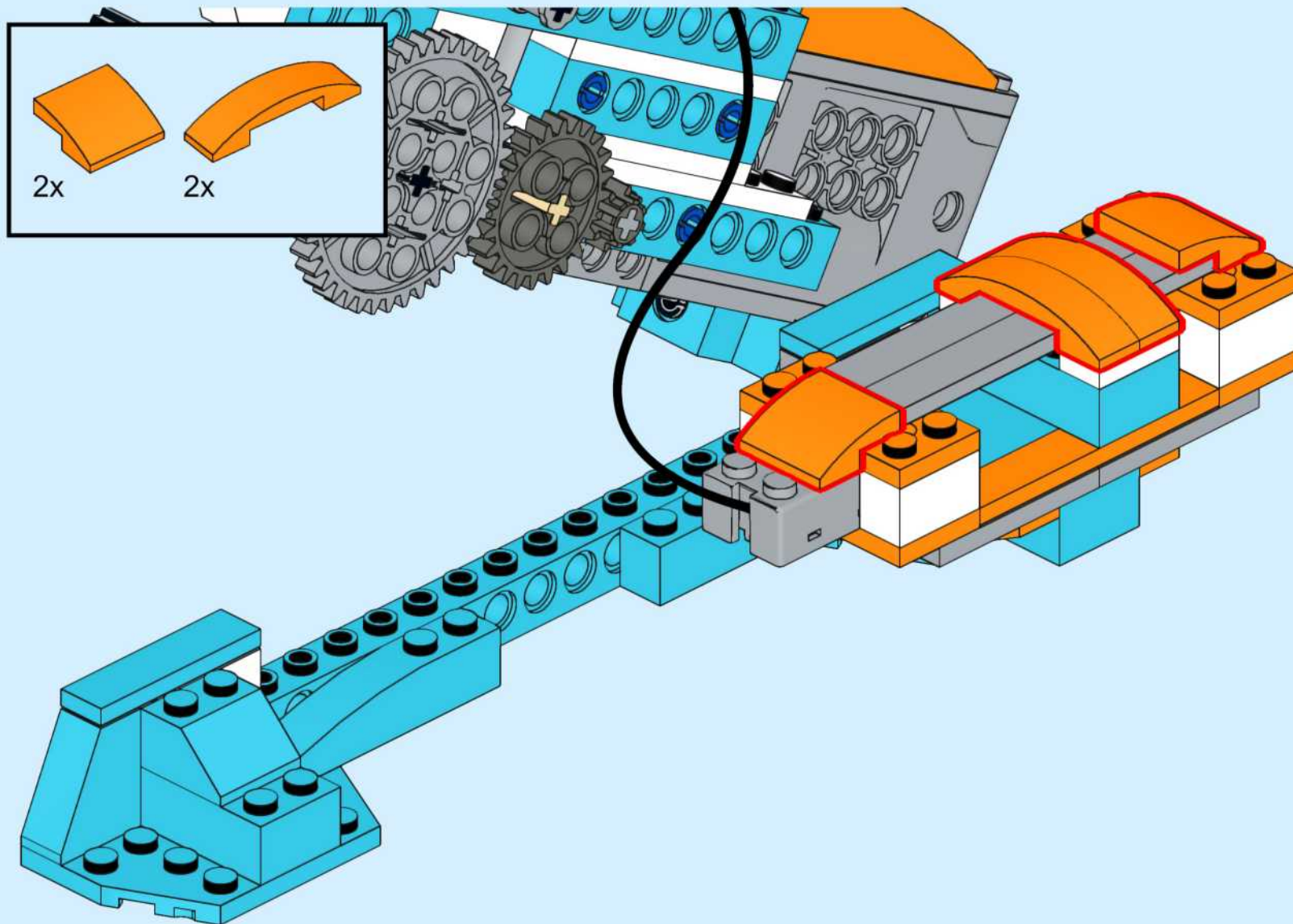


# 41



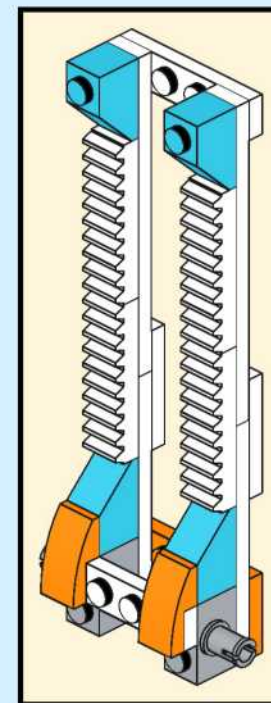
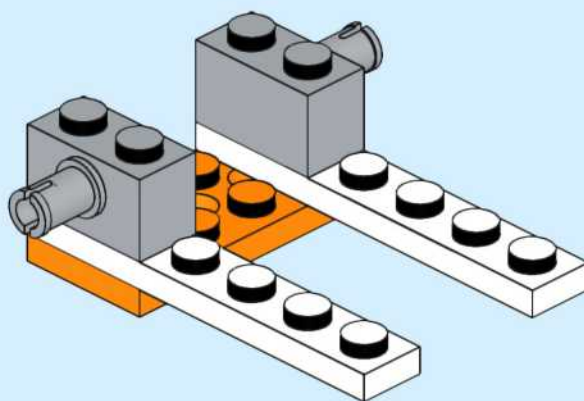
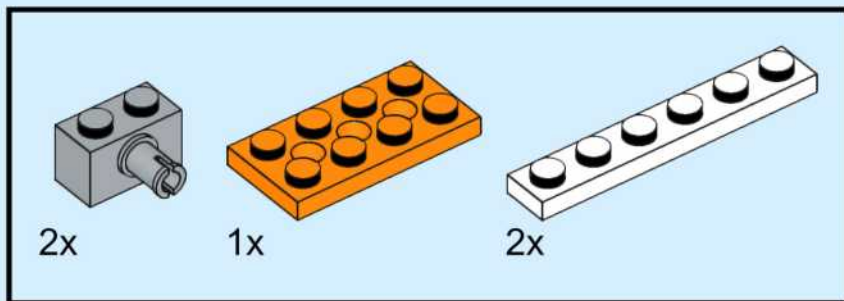


# 42

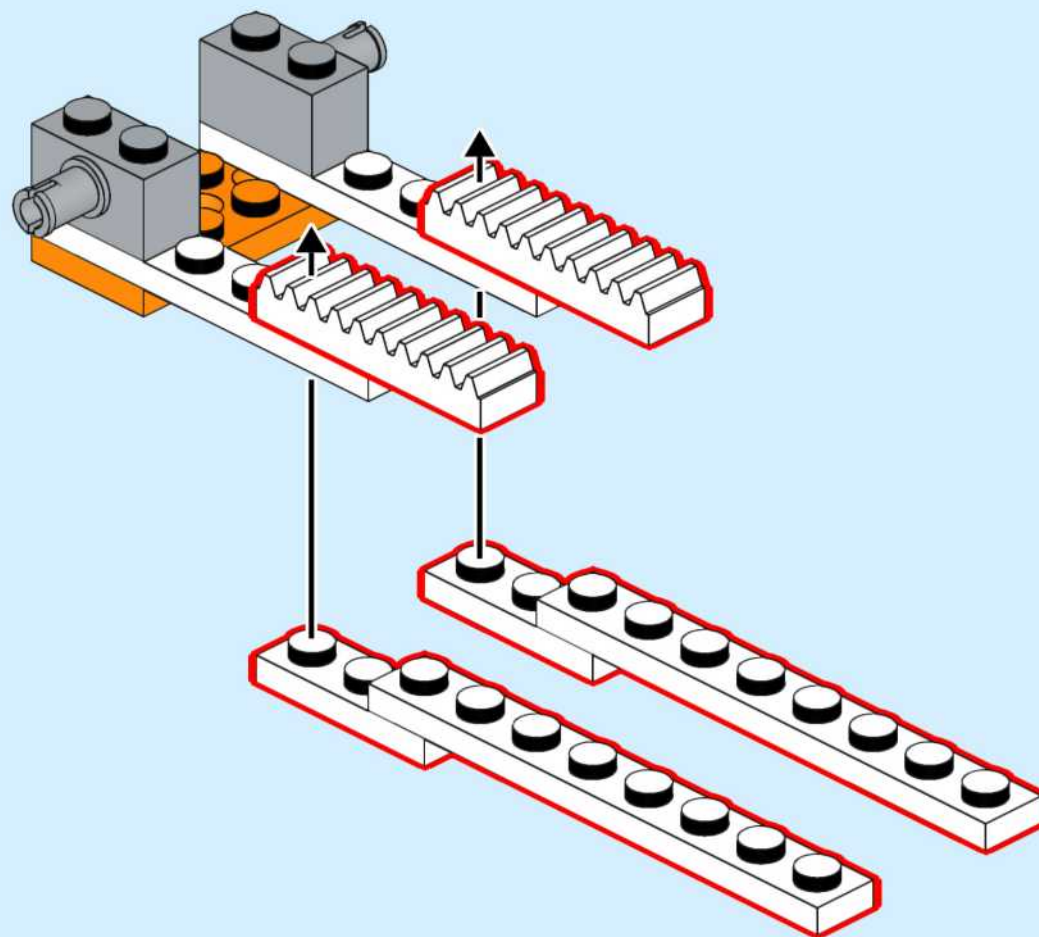
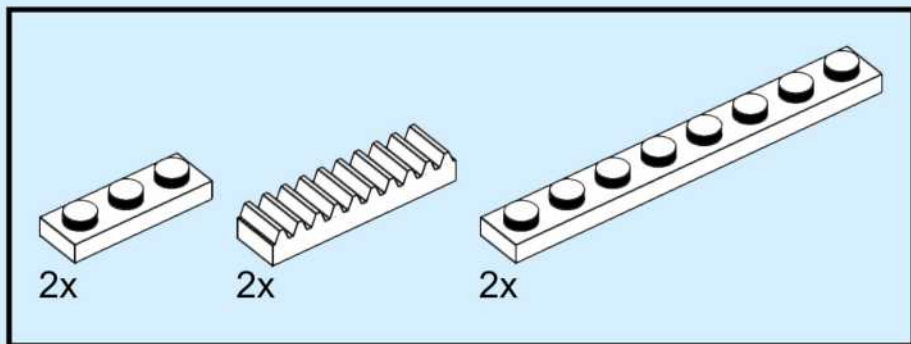




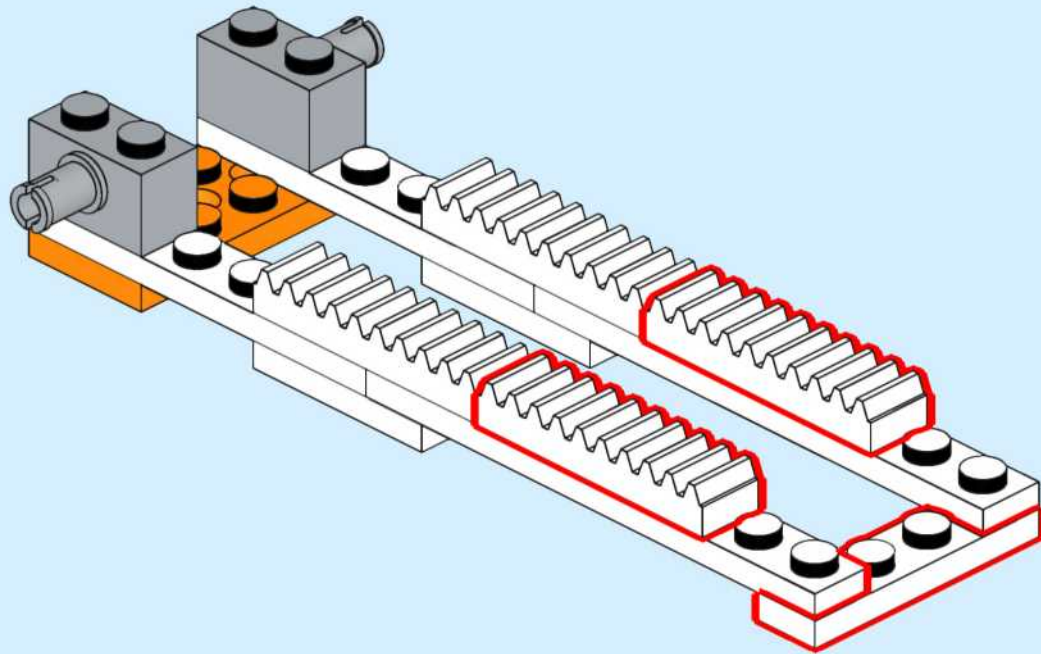
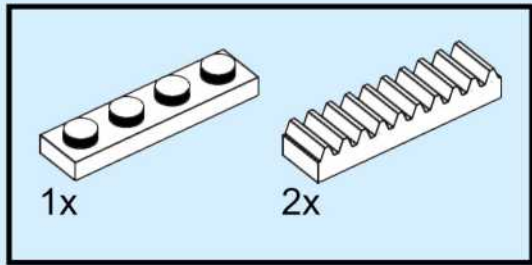
# 43



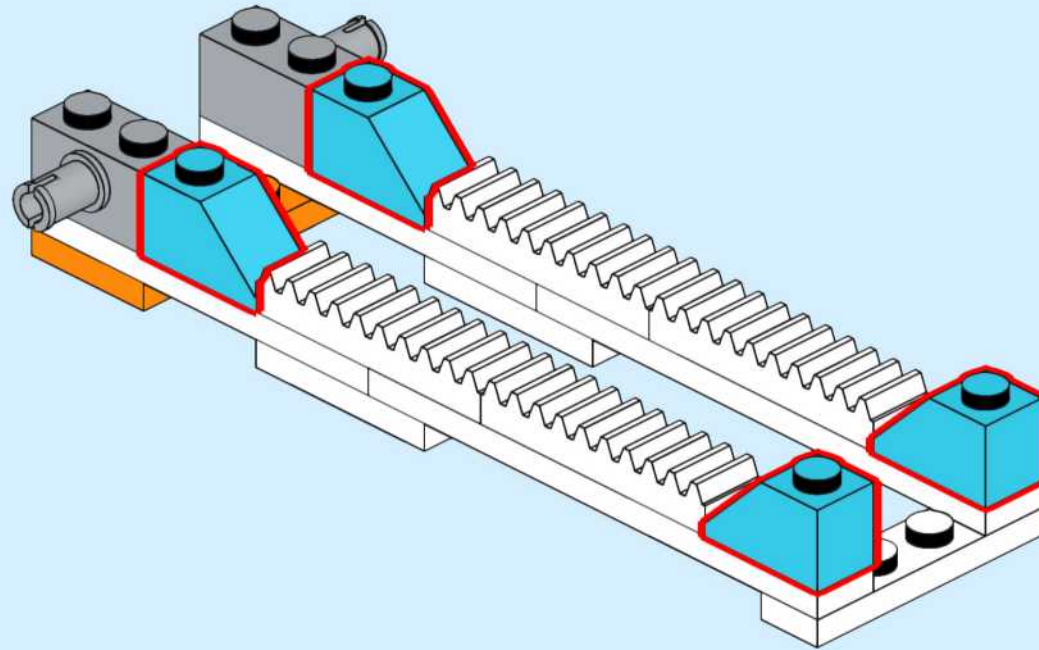
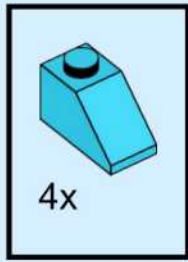
# 44



# 45

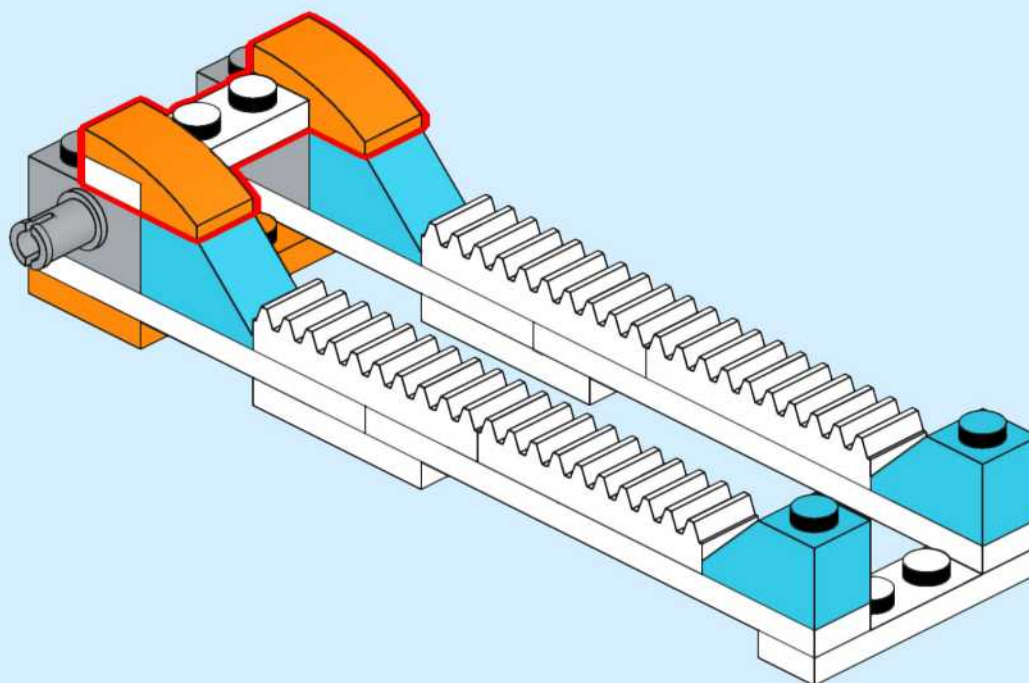
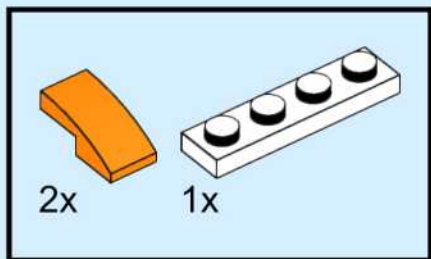


# 46

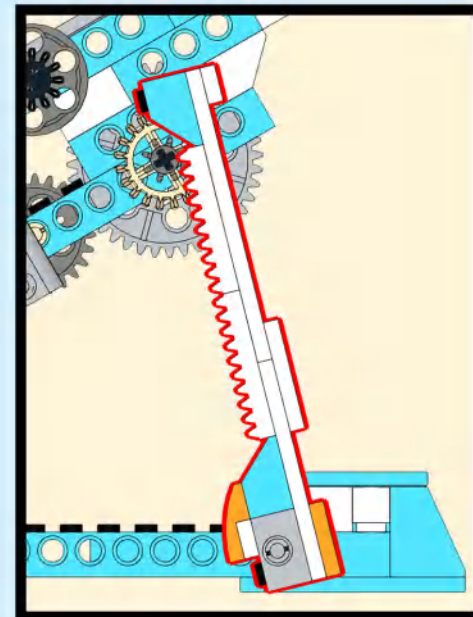
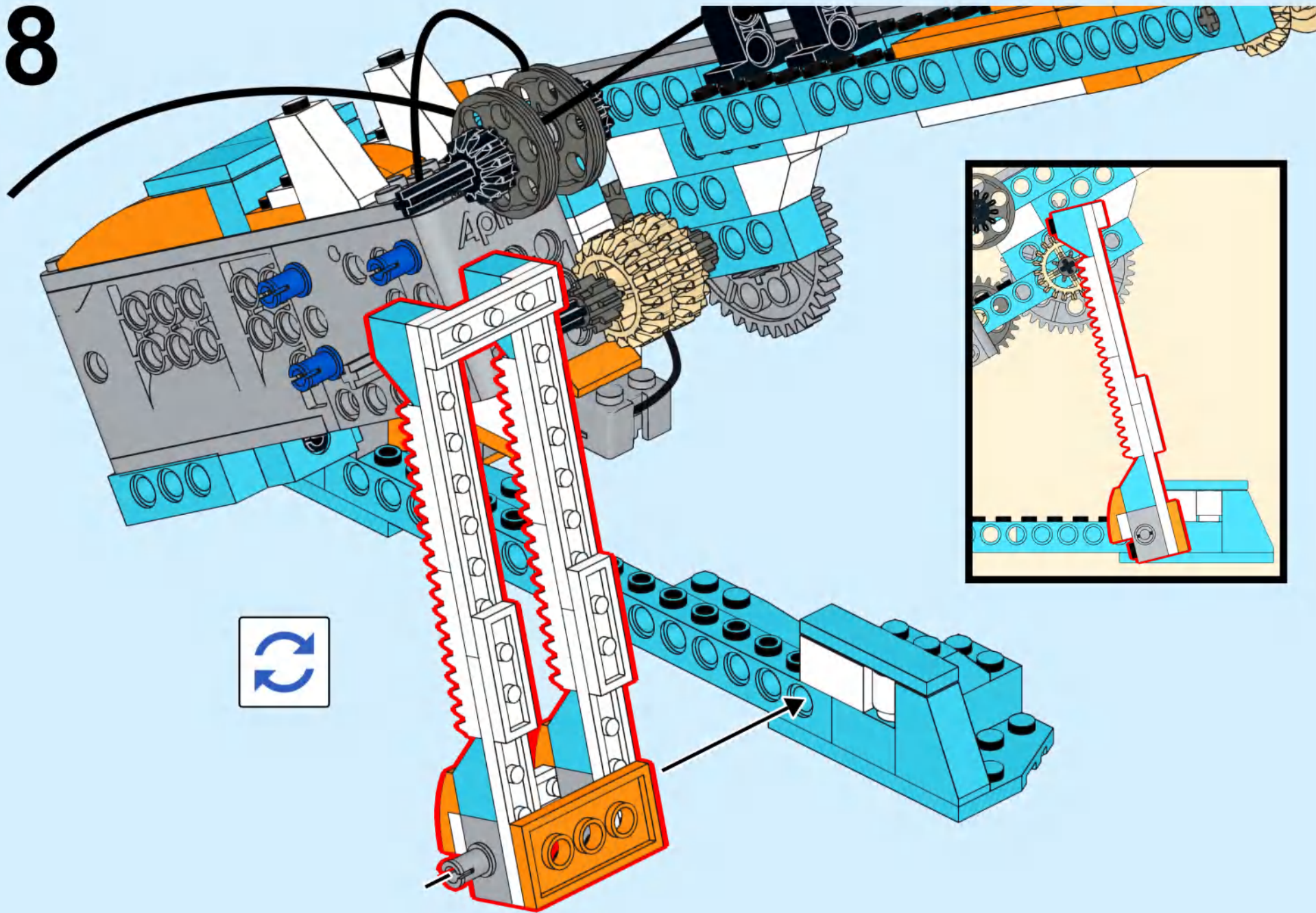




# 47

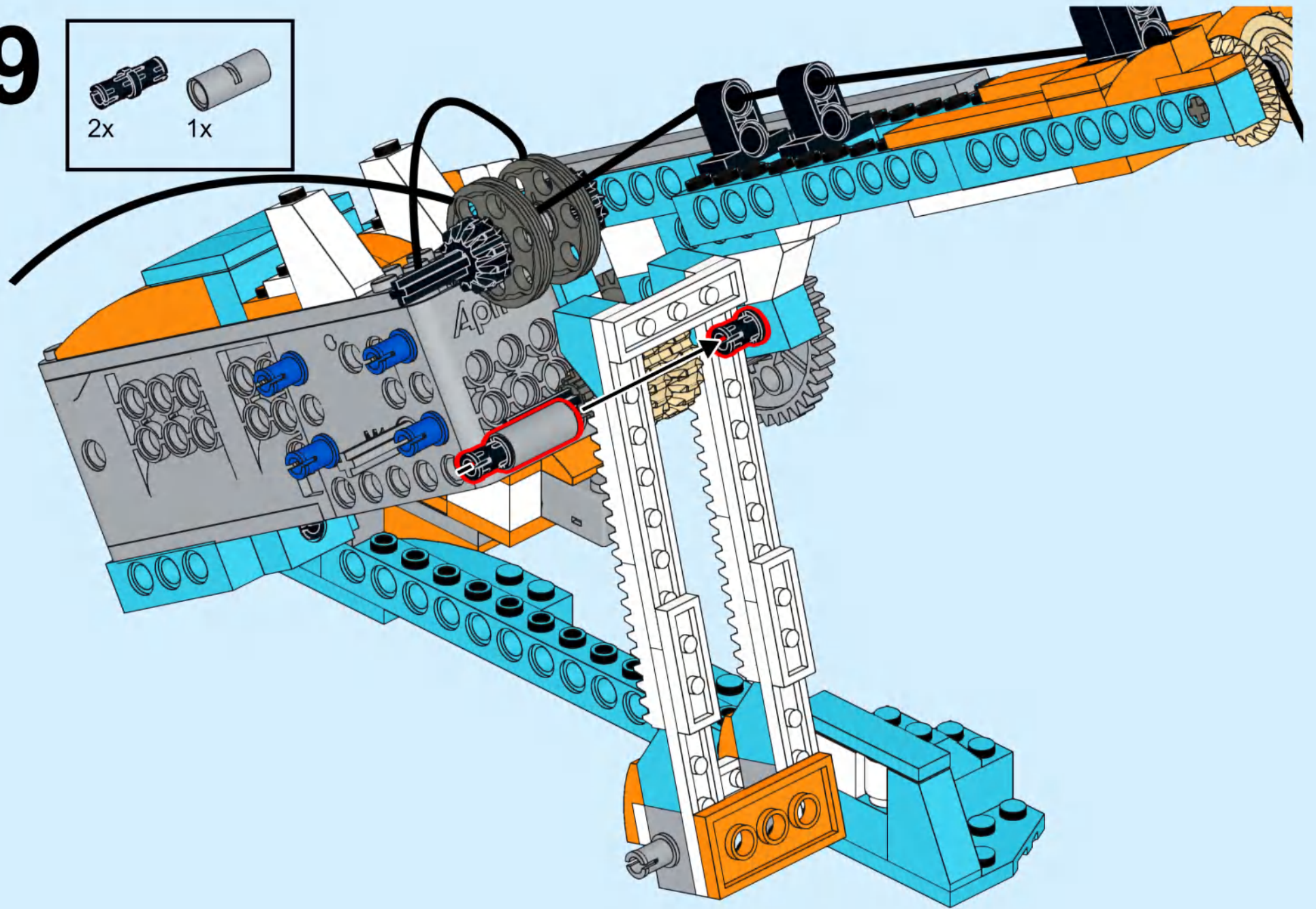
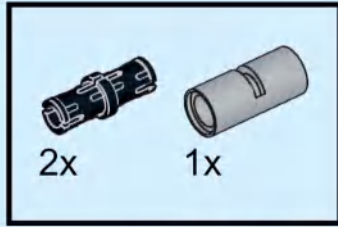


# 48

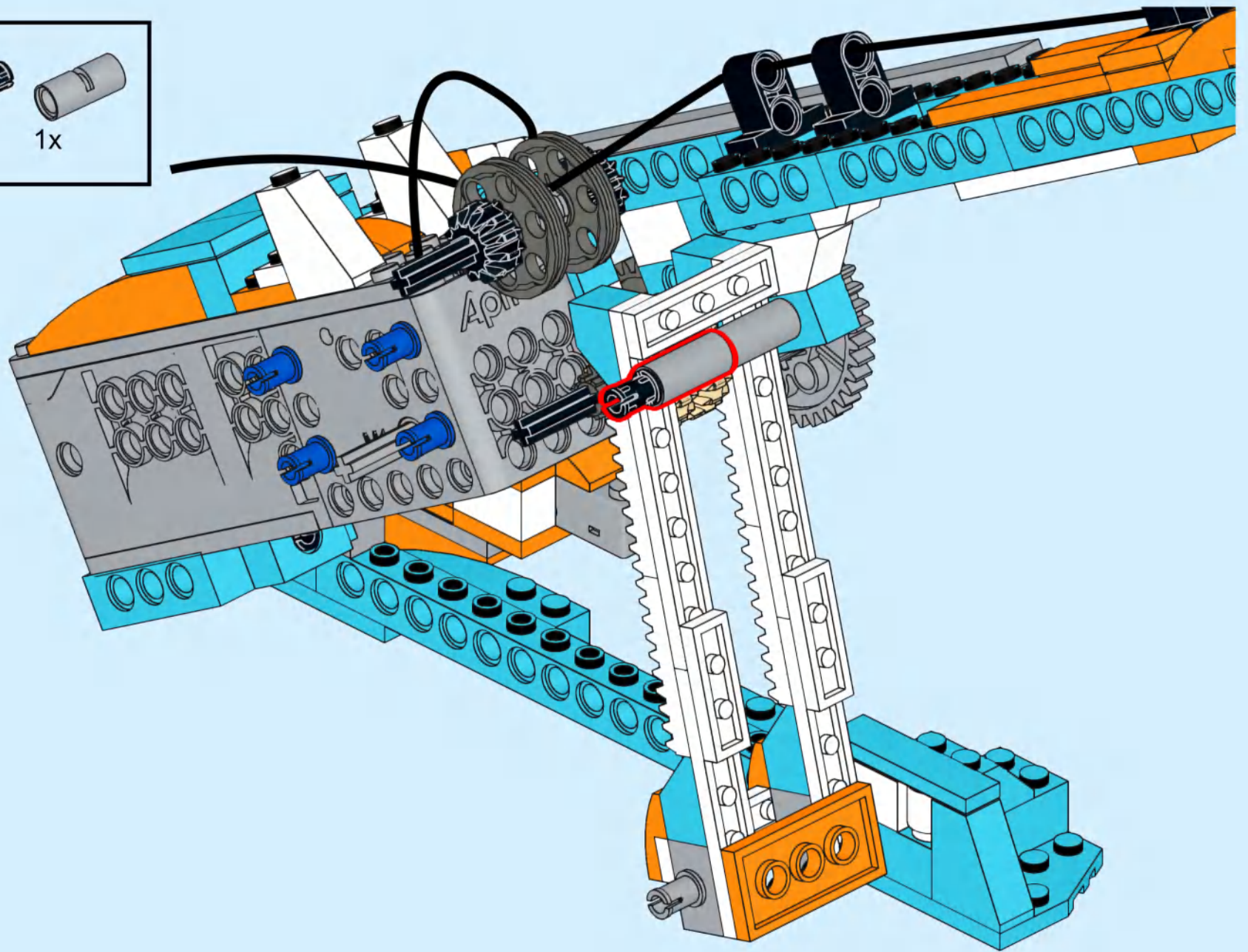
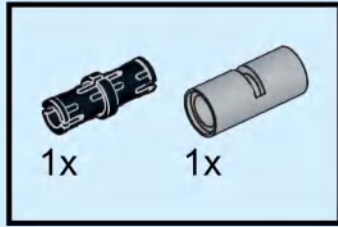




# 49

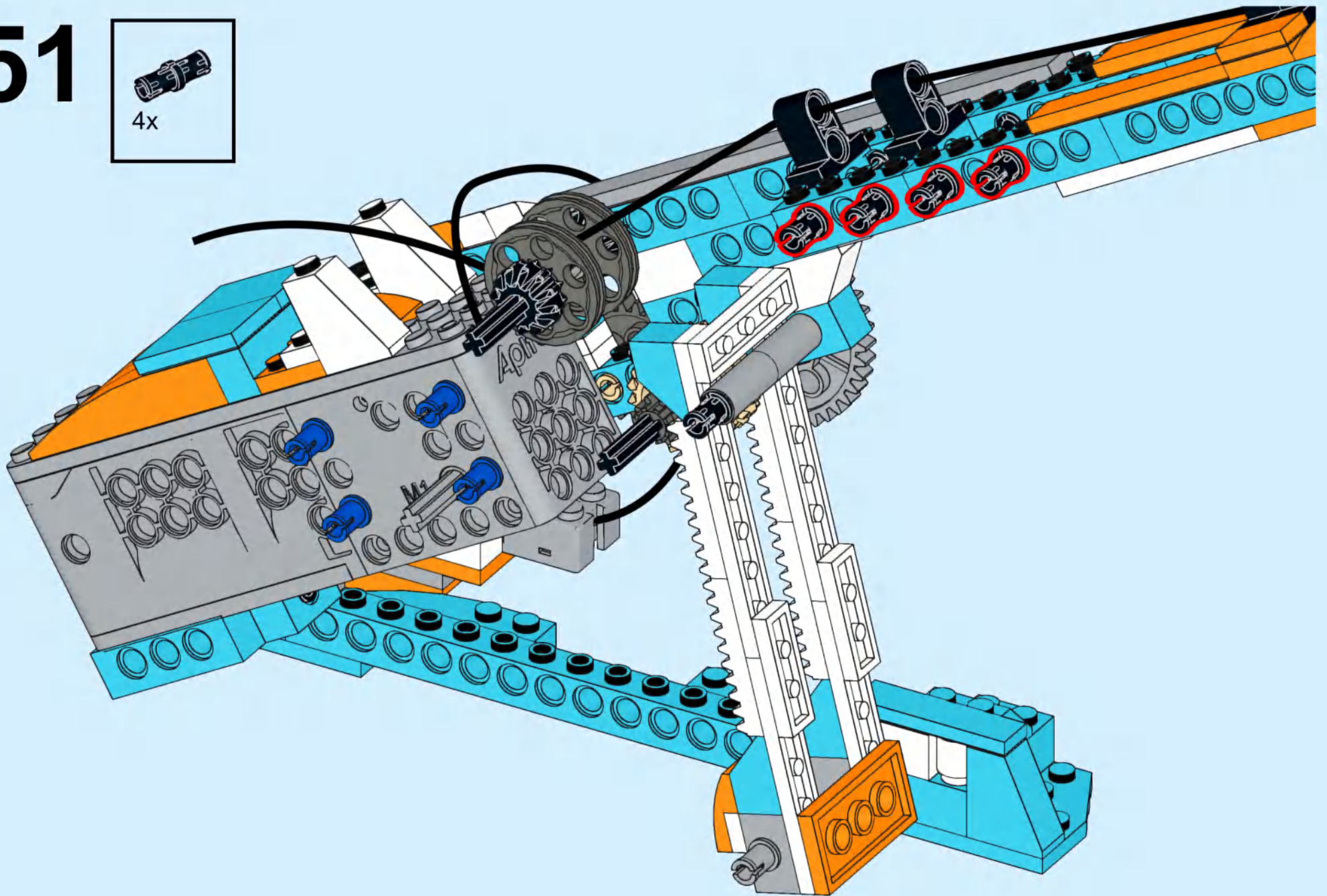
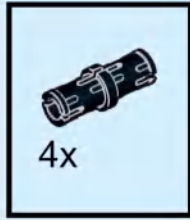


# 50

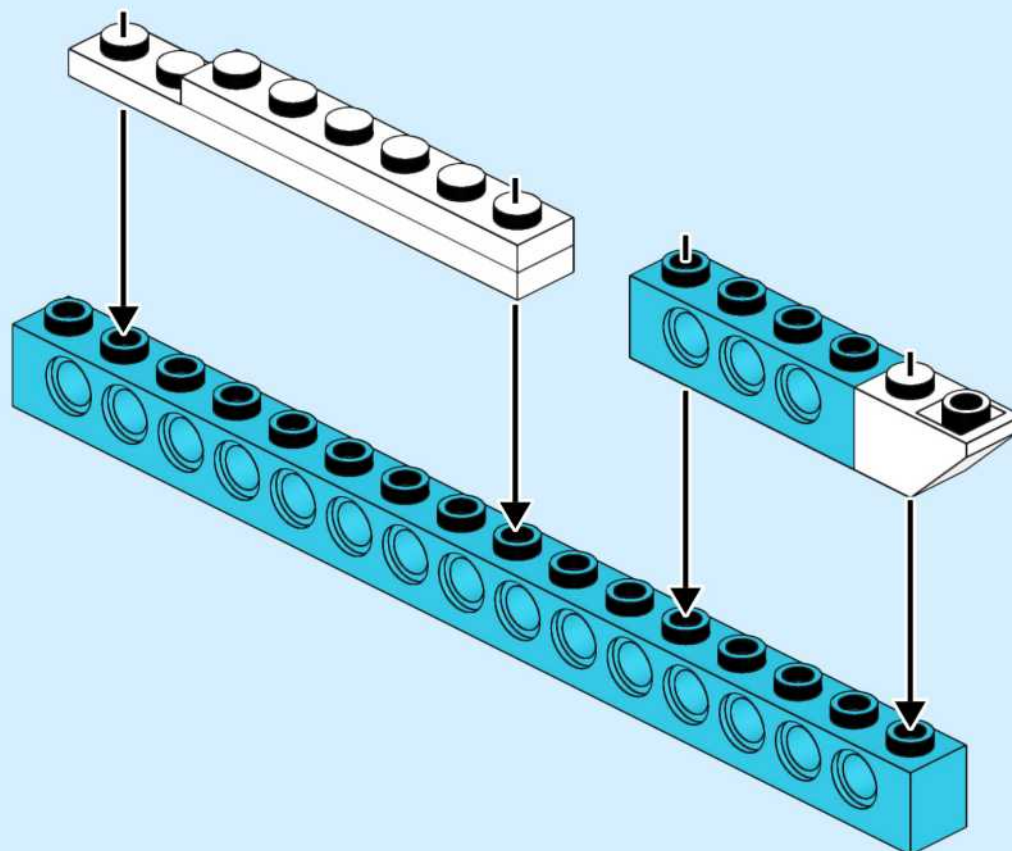
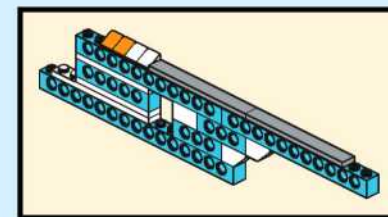
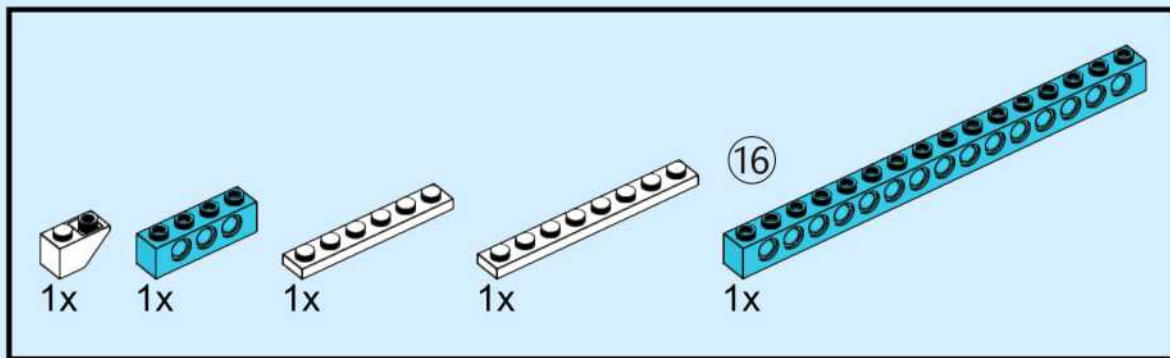




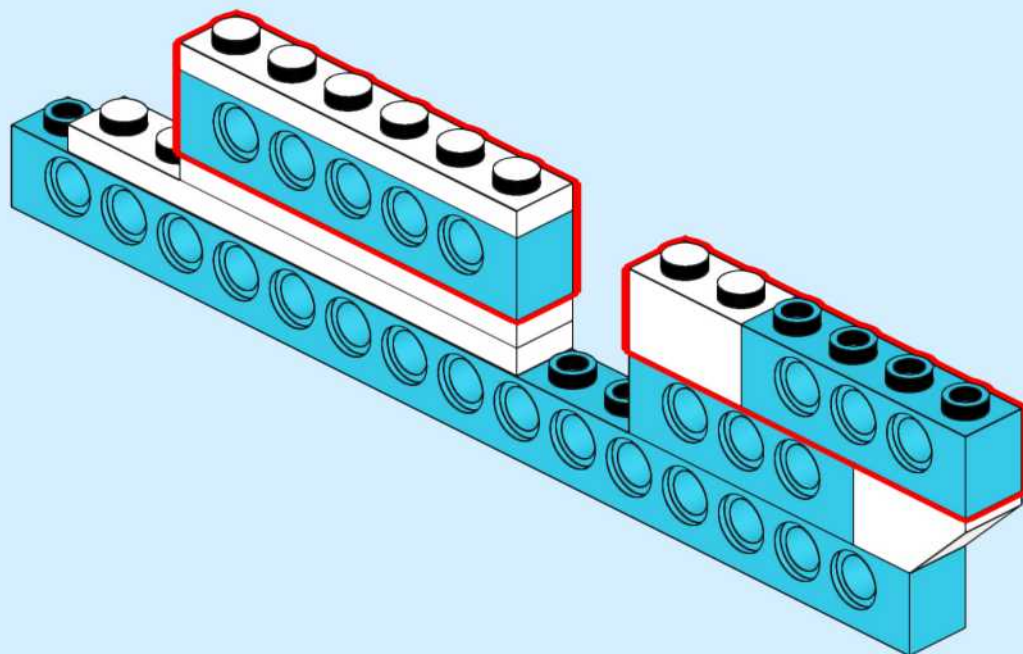
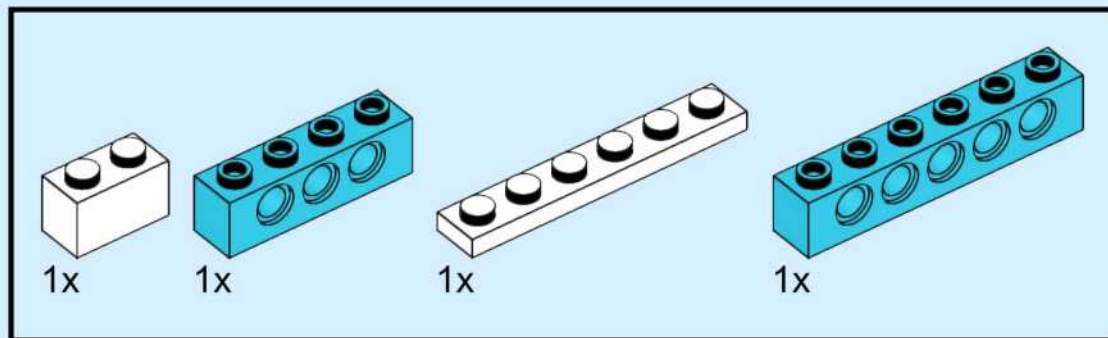
# 51



# 52

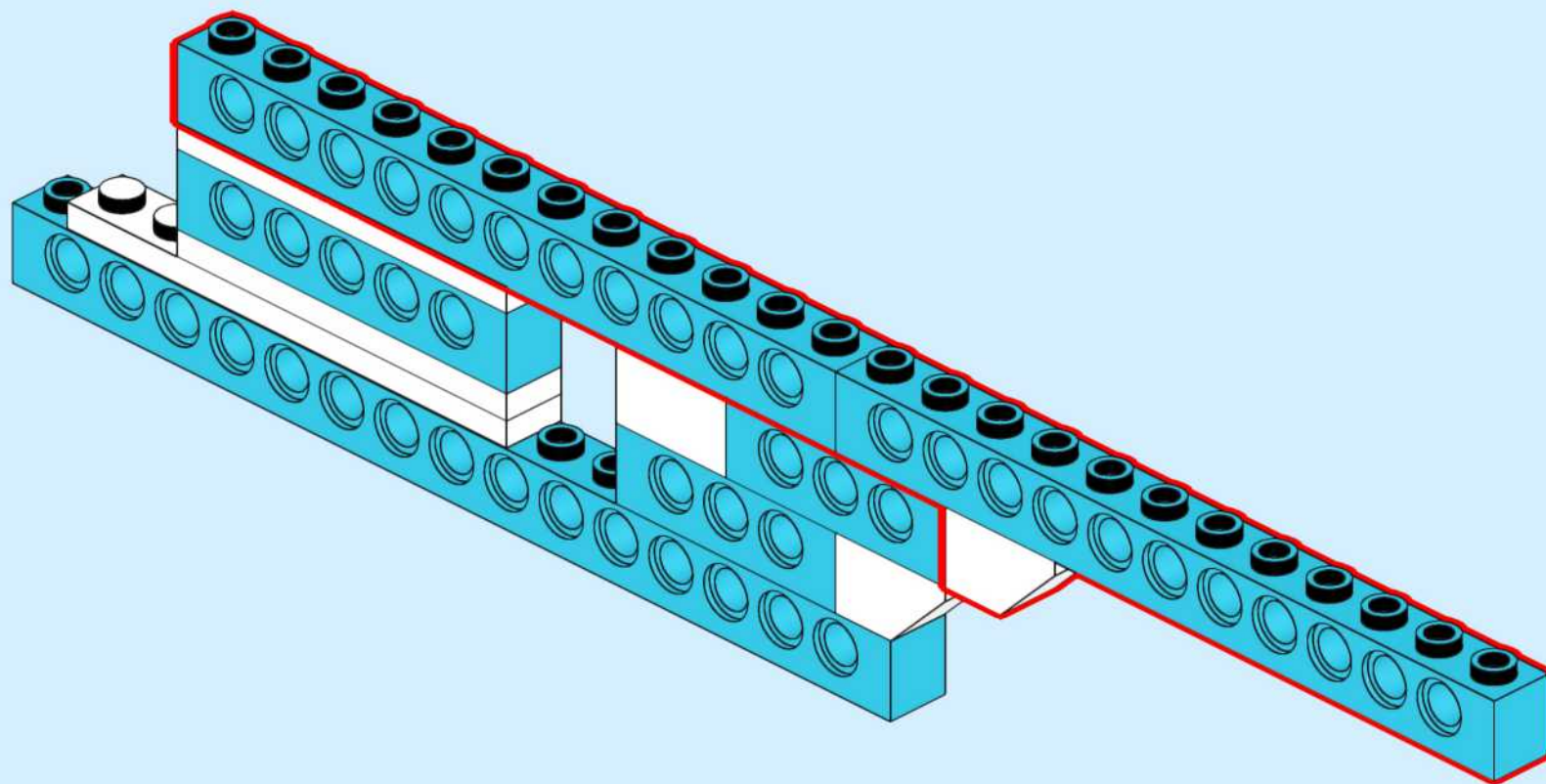
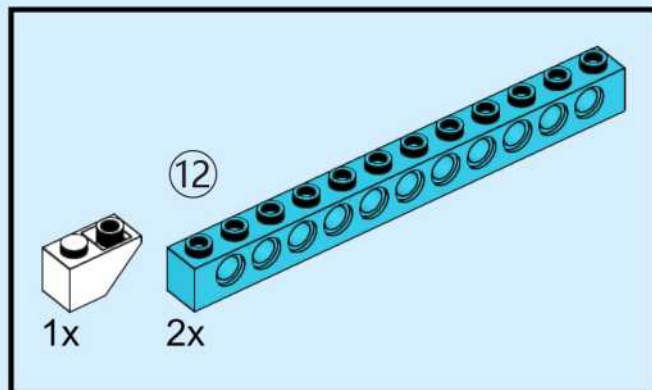


# 53



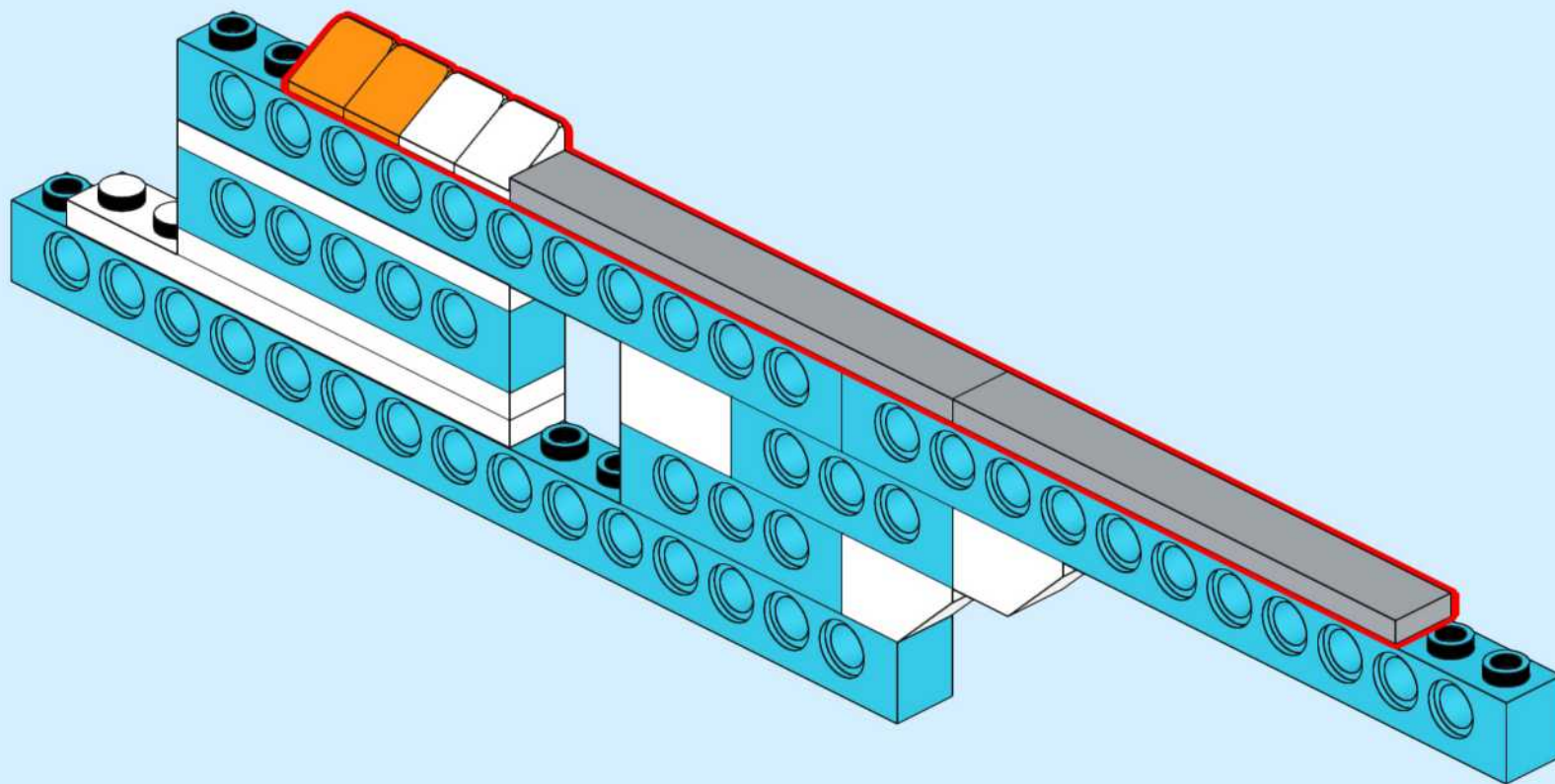
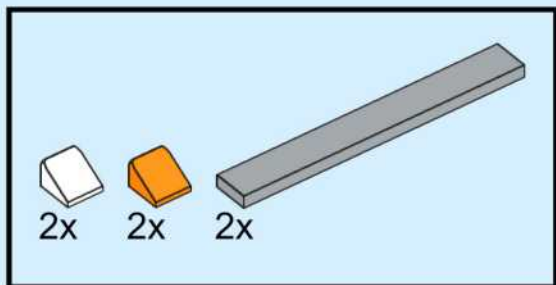


# 54

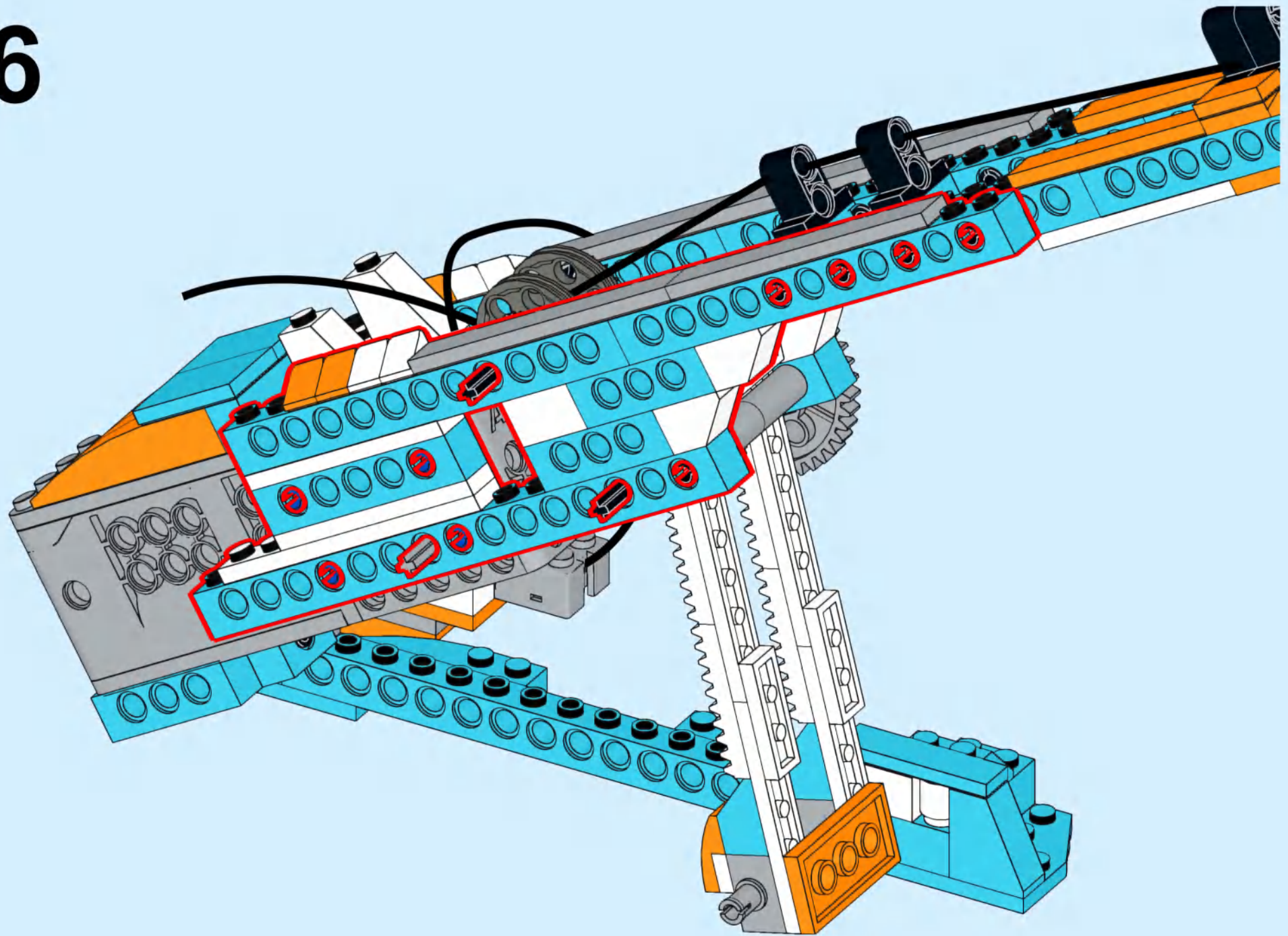




# 55

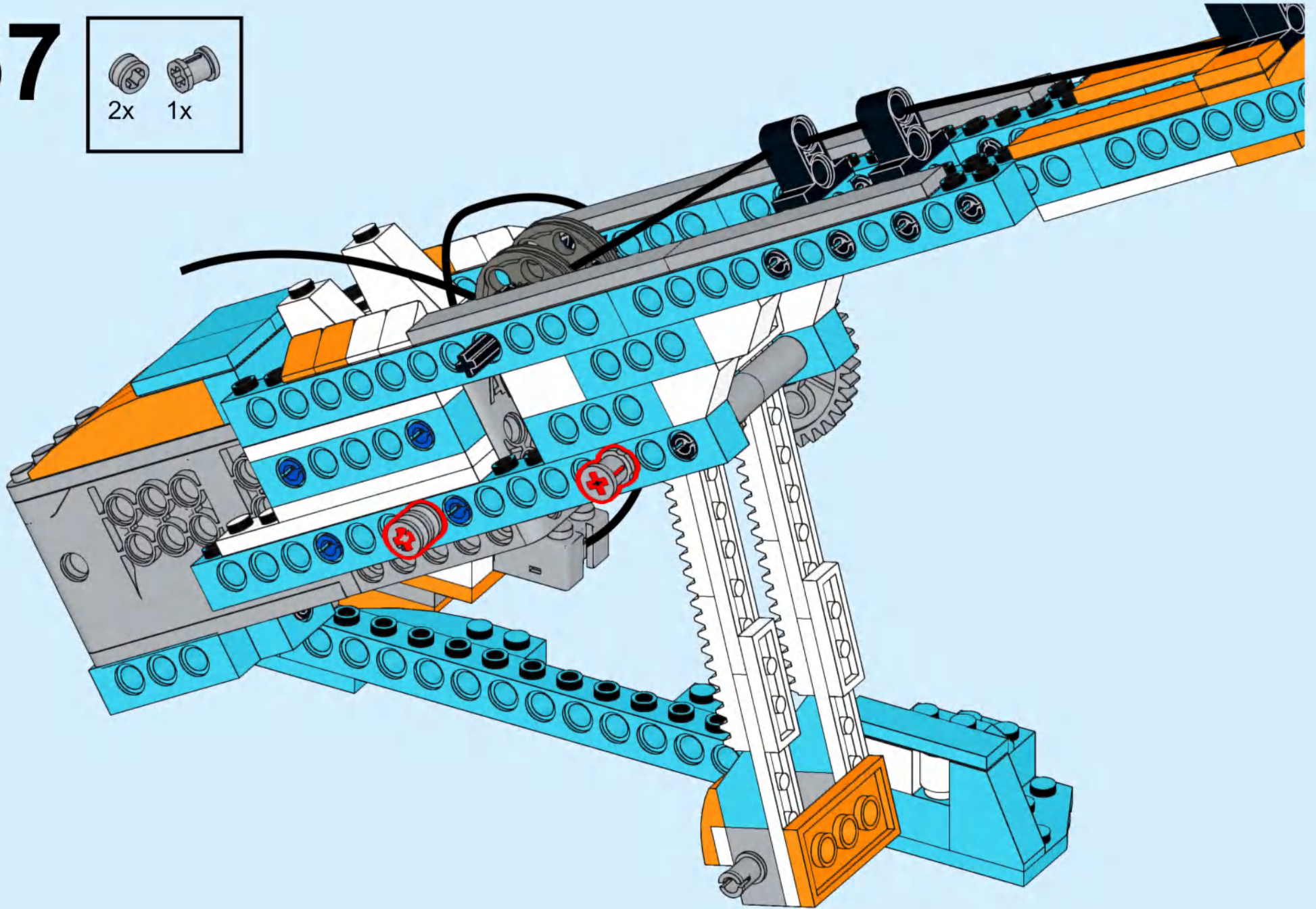
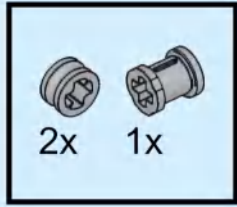


56

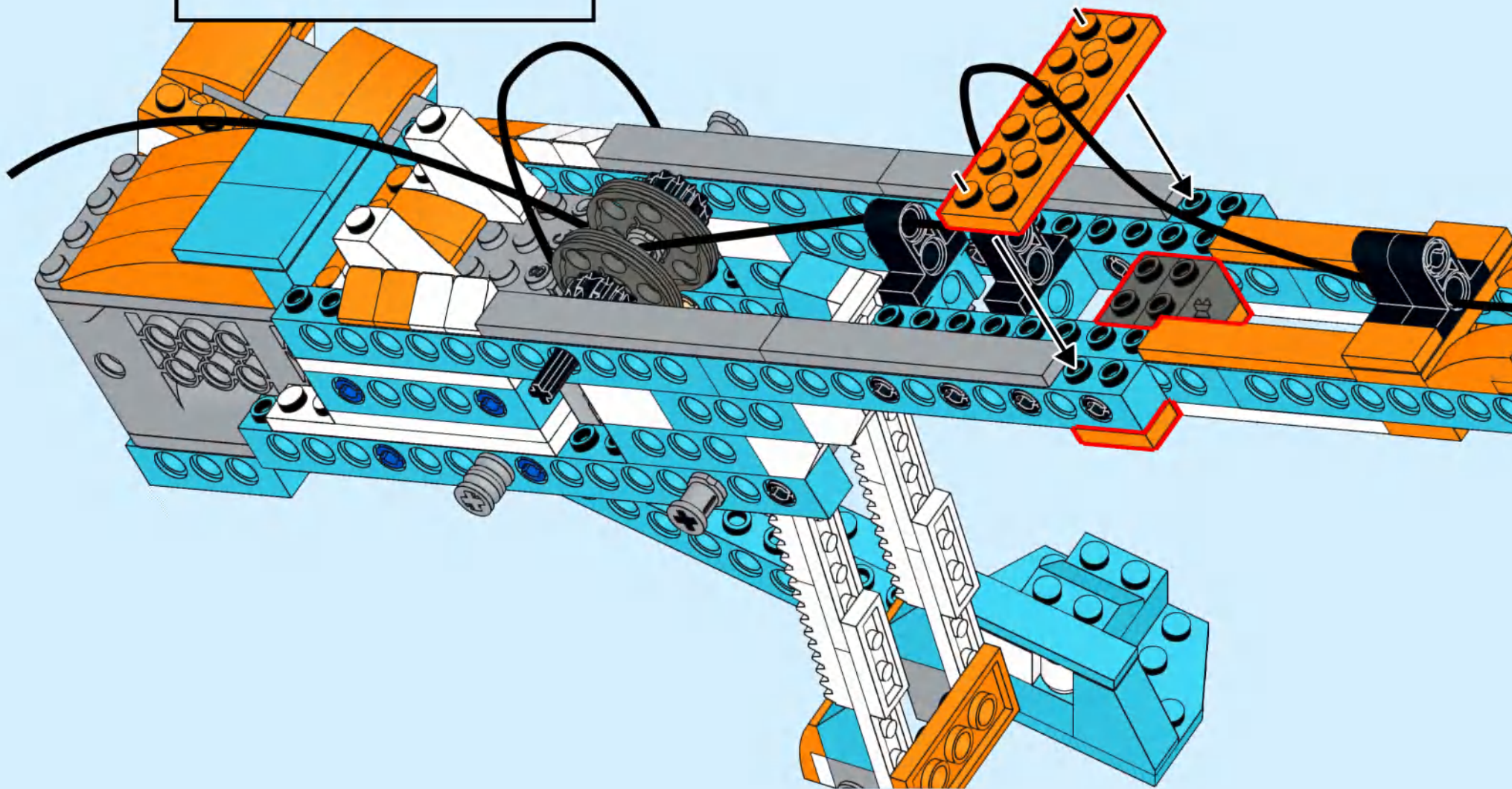
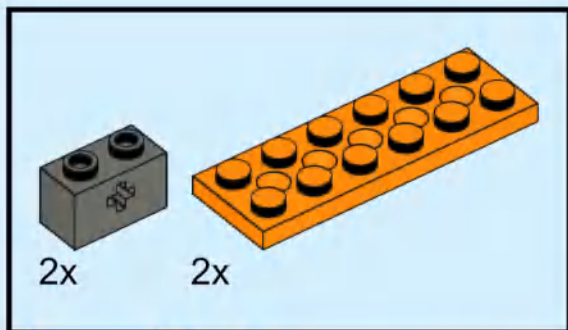




# 57

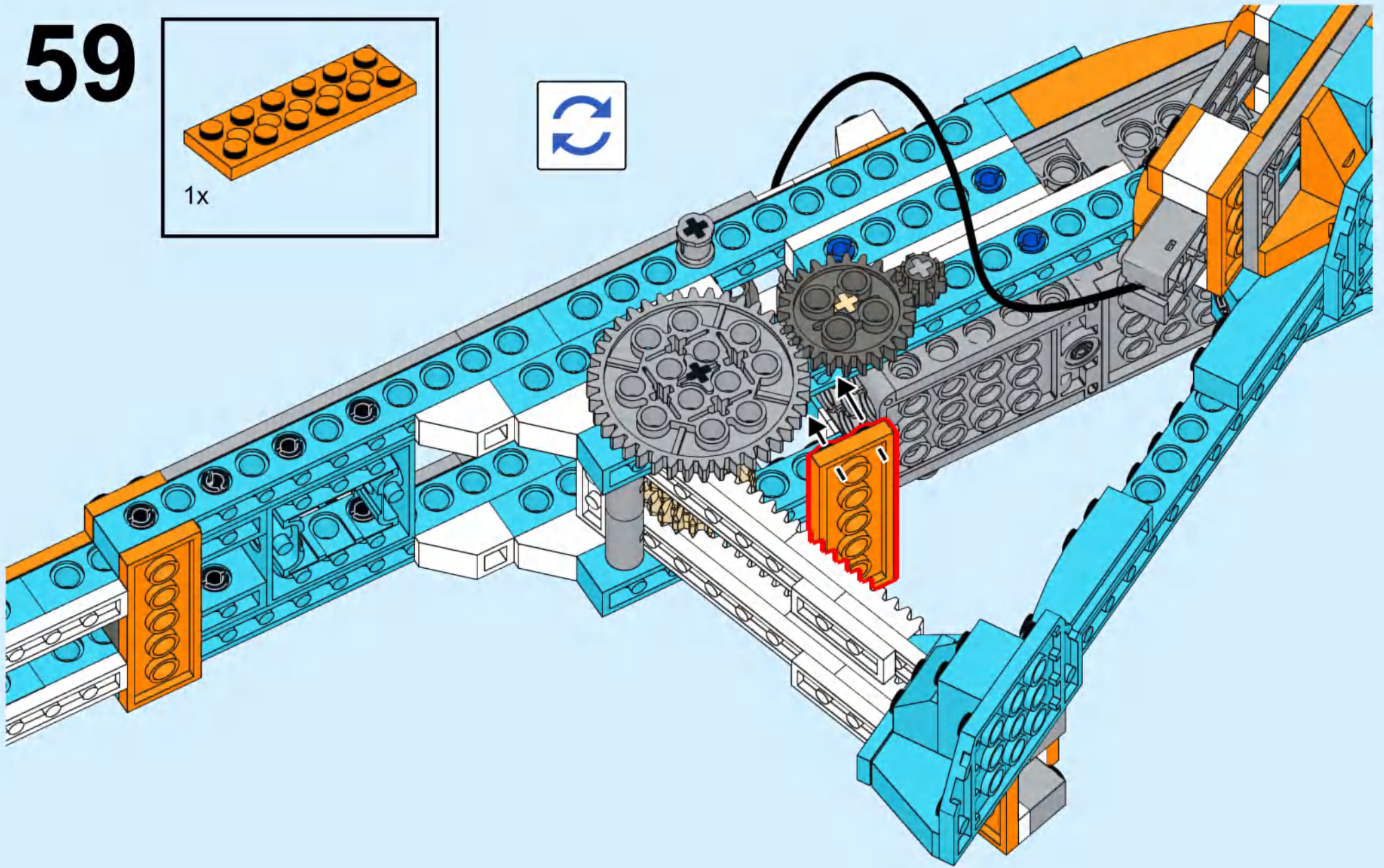
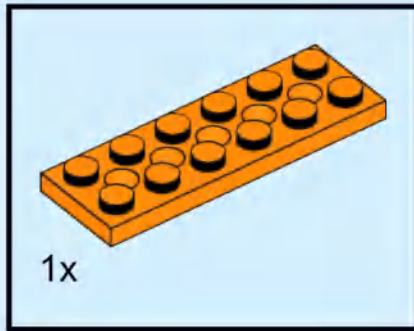


# 58

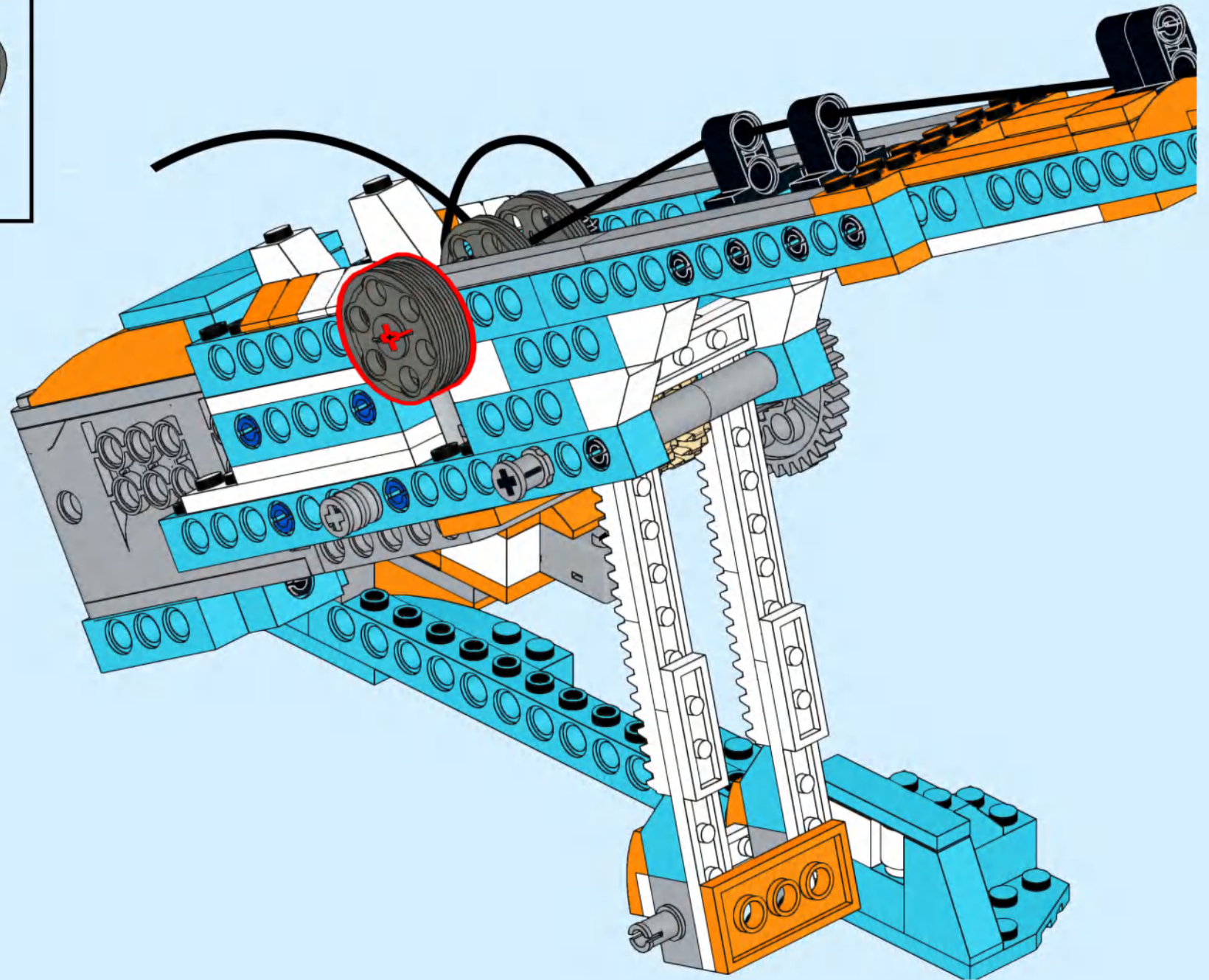
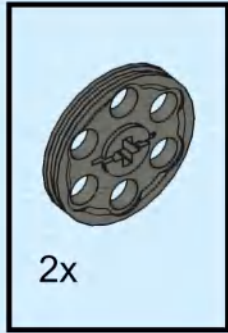




# 59

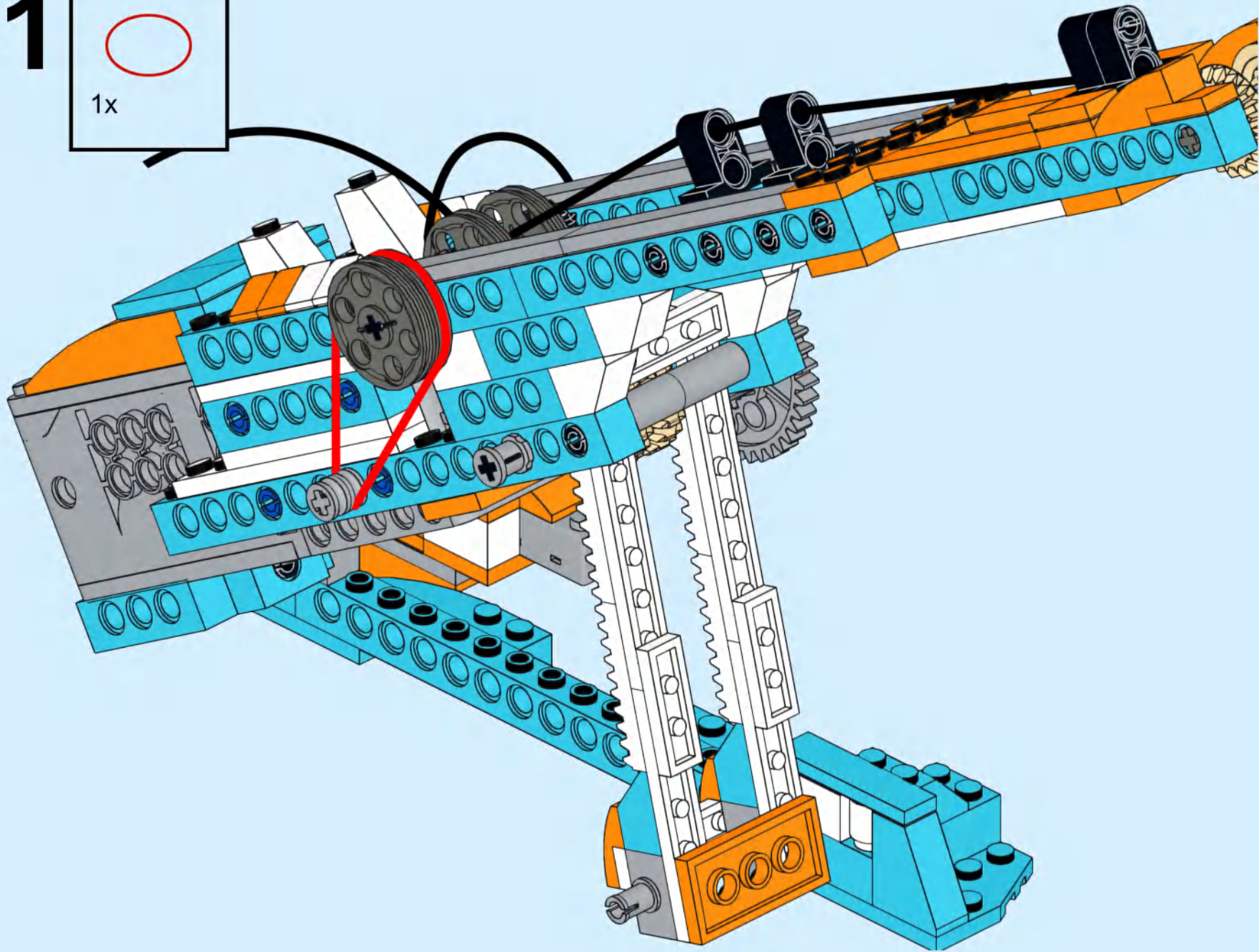
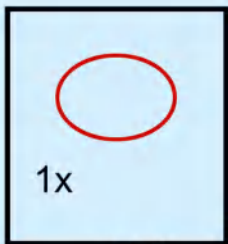


# 60

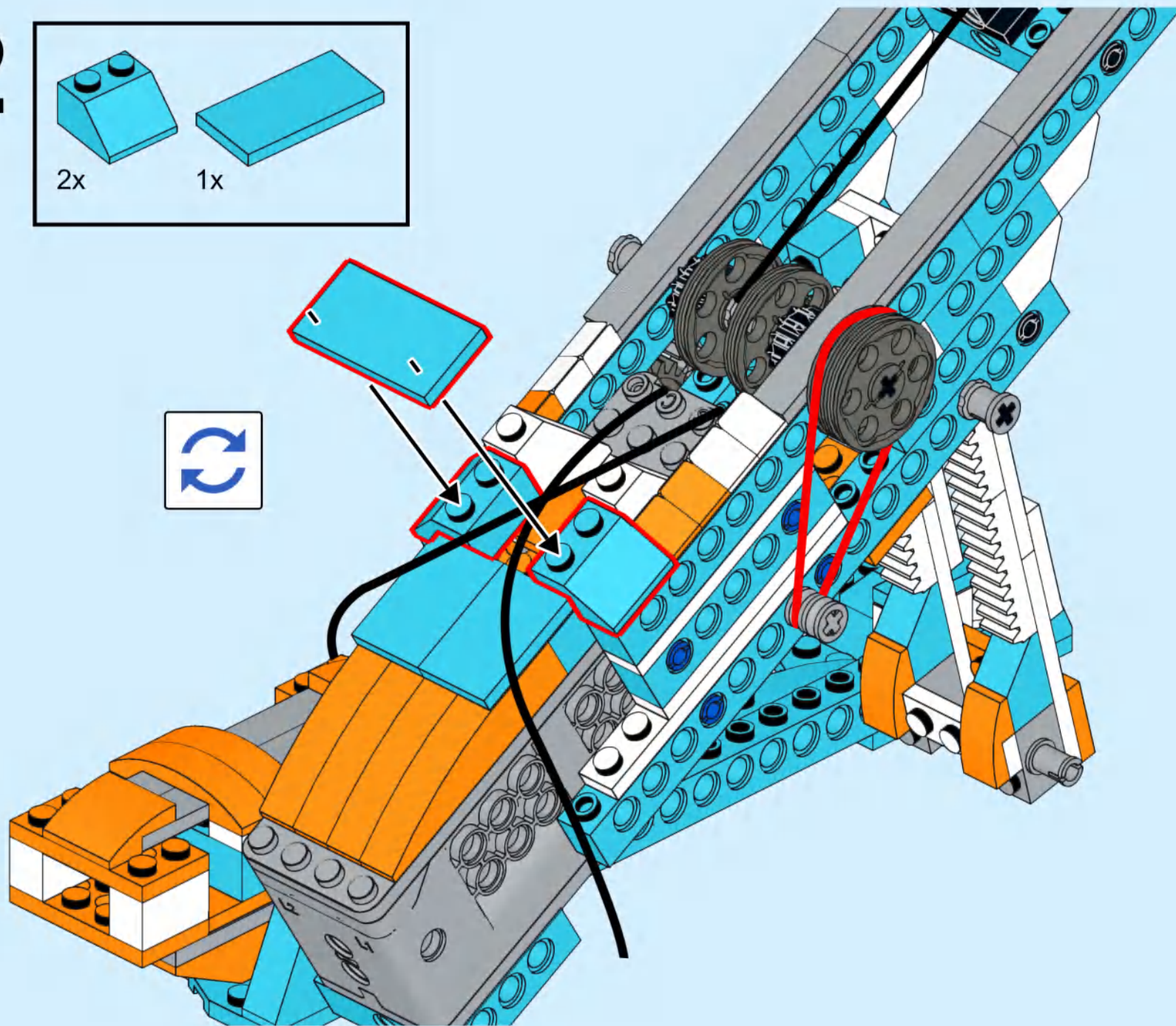
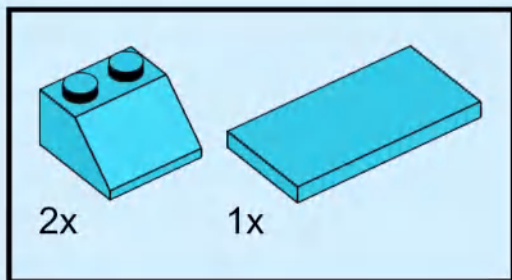




# 61

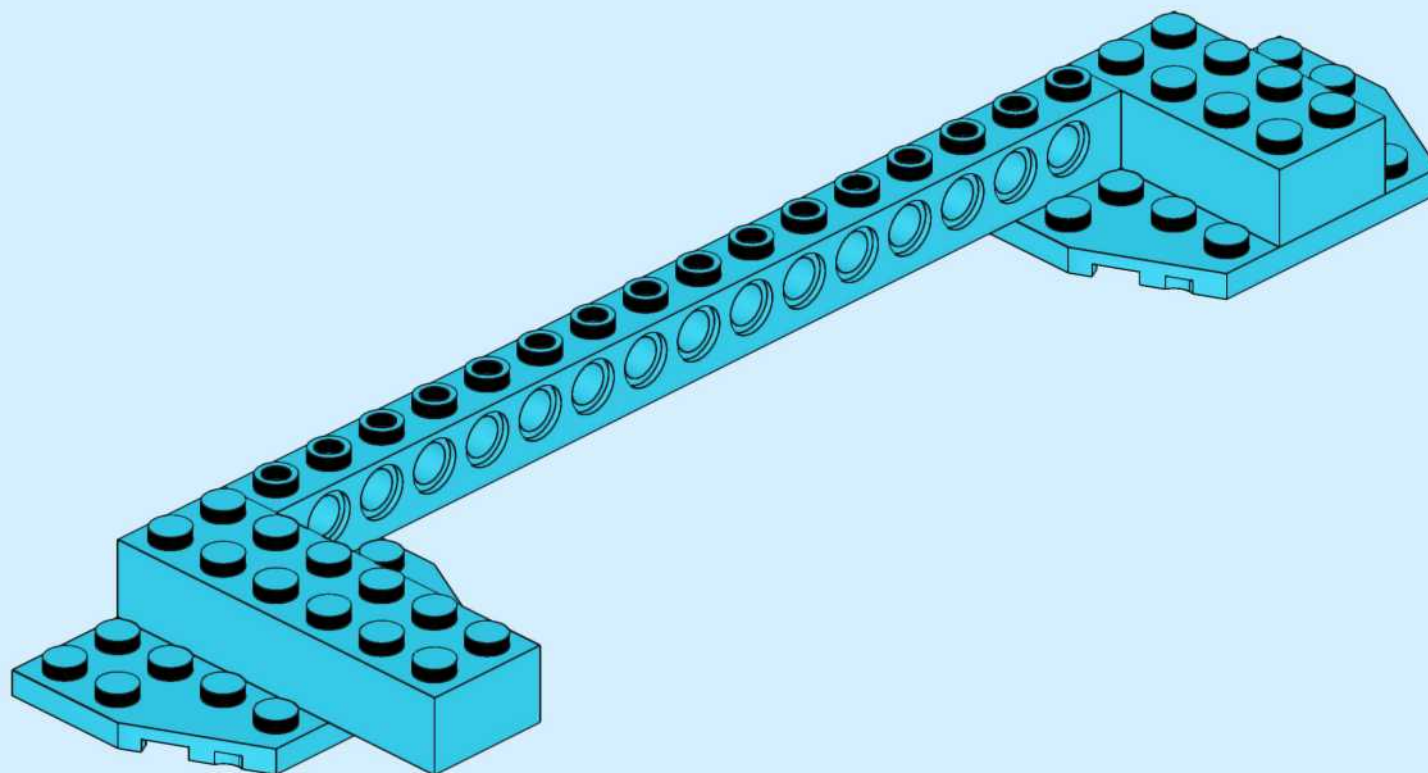
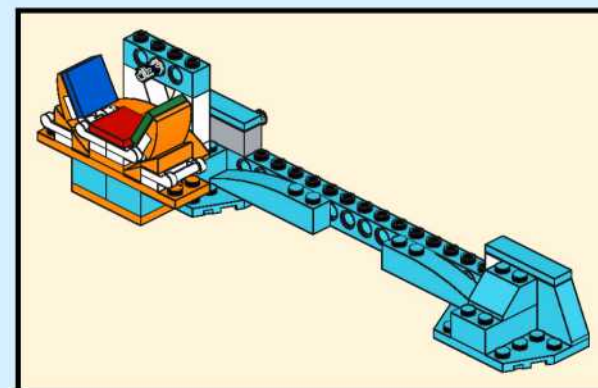
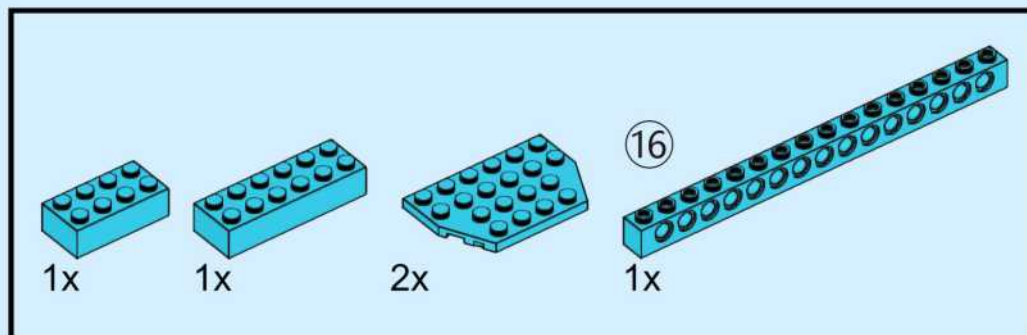


# 62

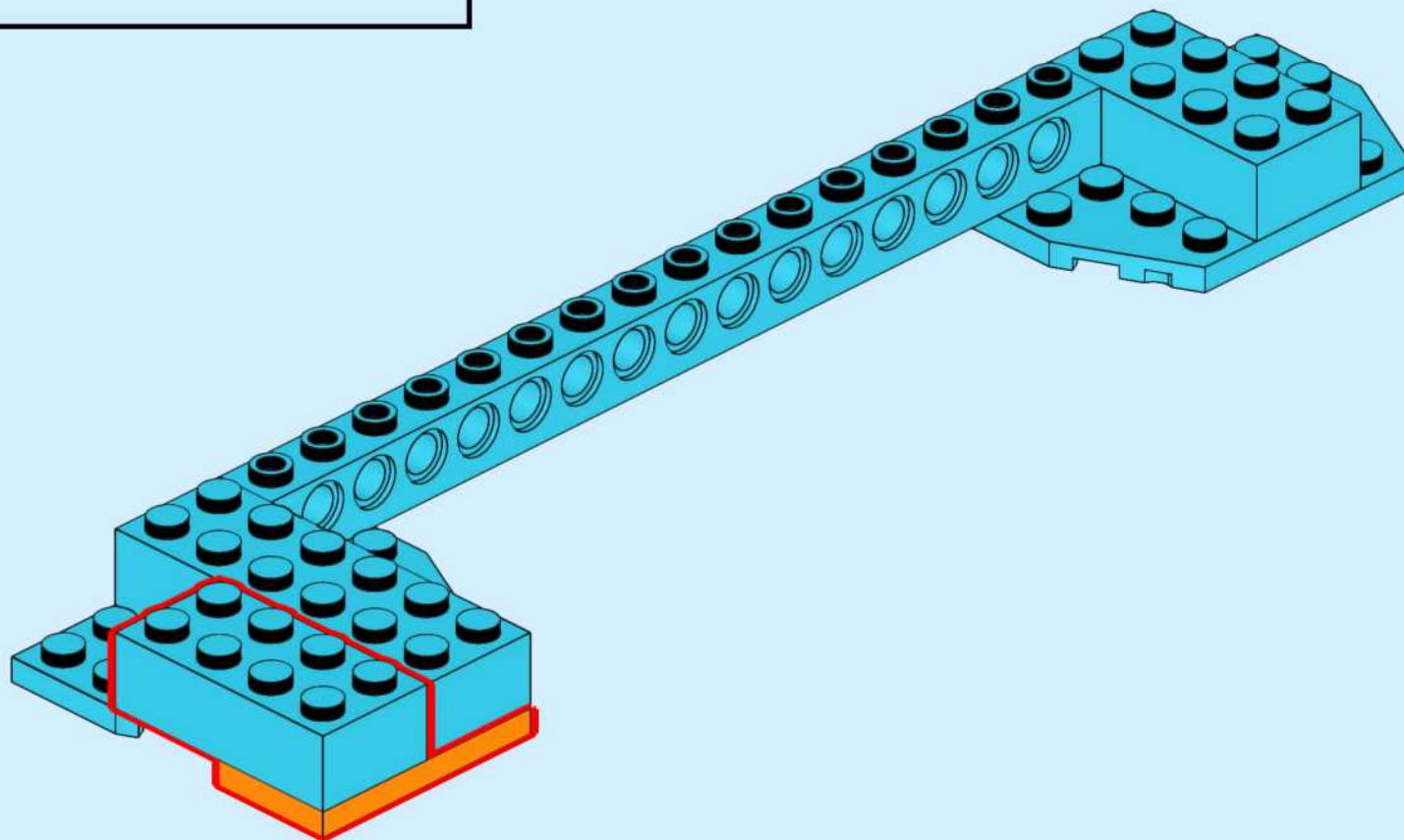
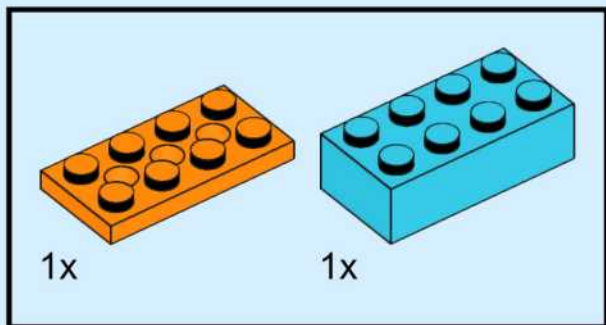




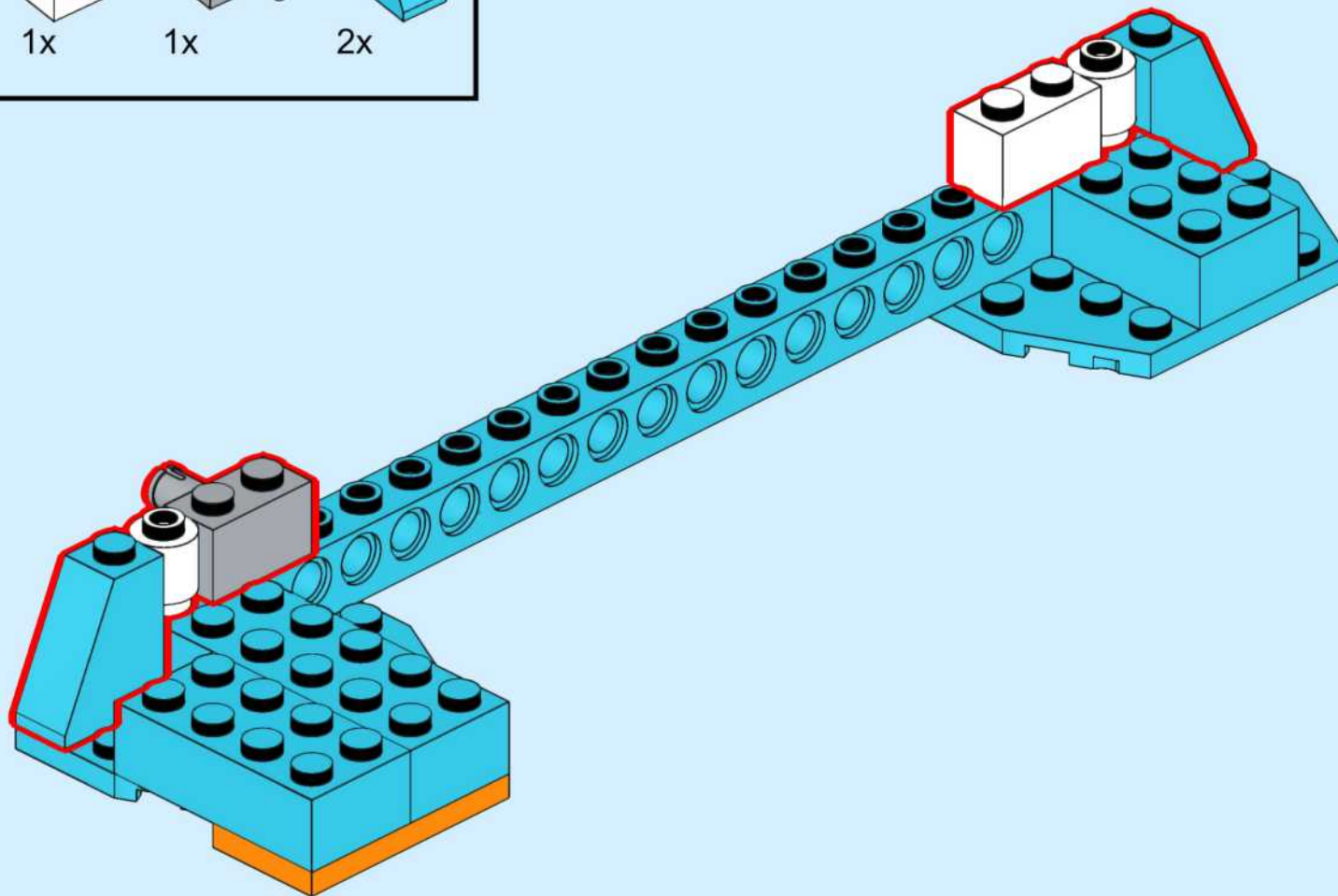
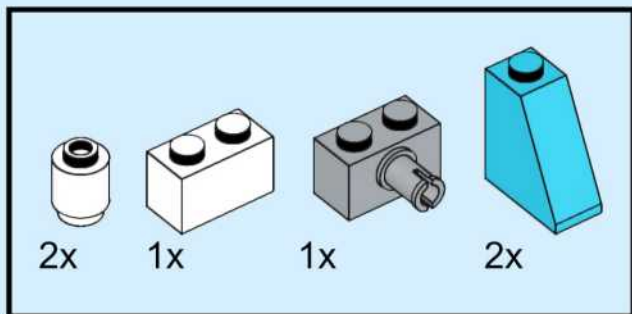
# 63



# 64

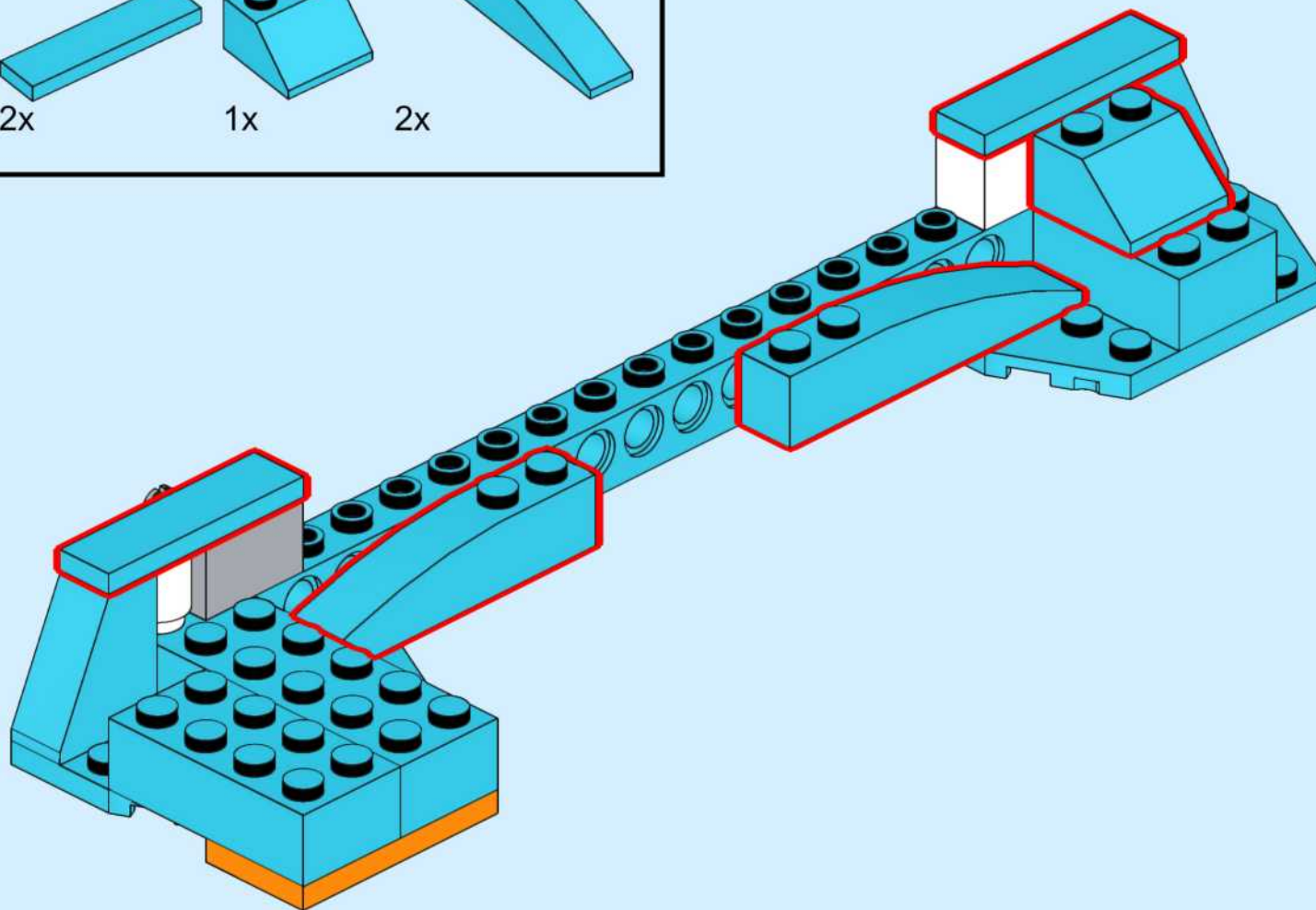
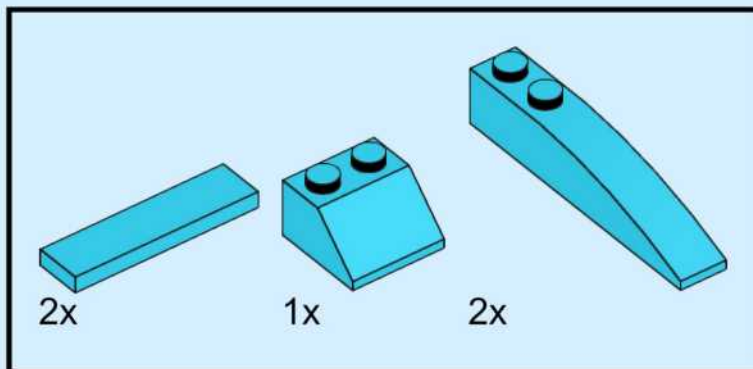


# 65

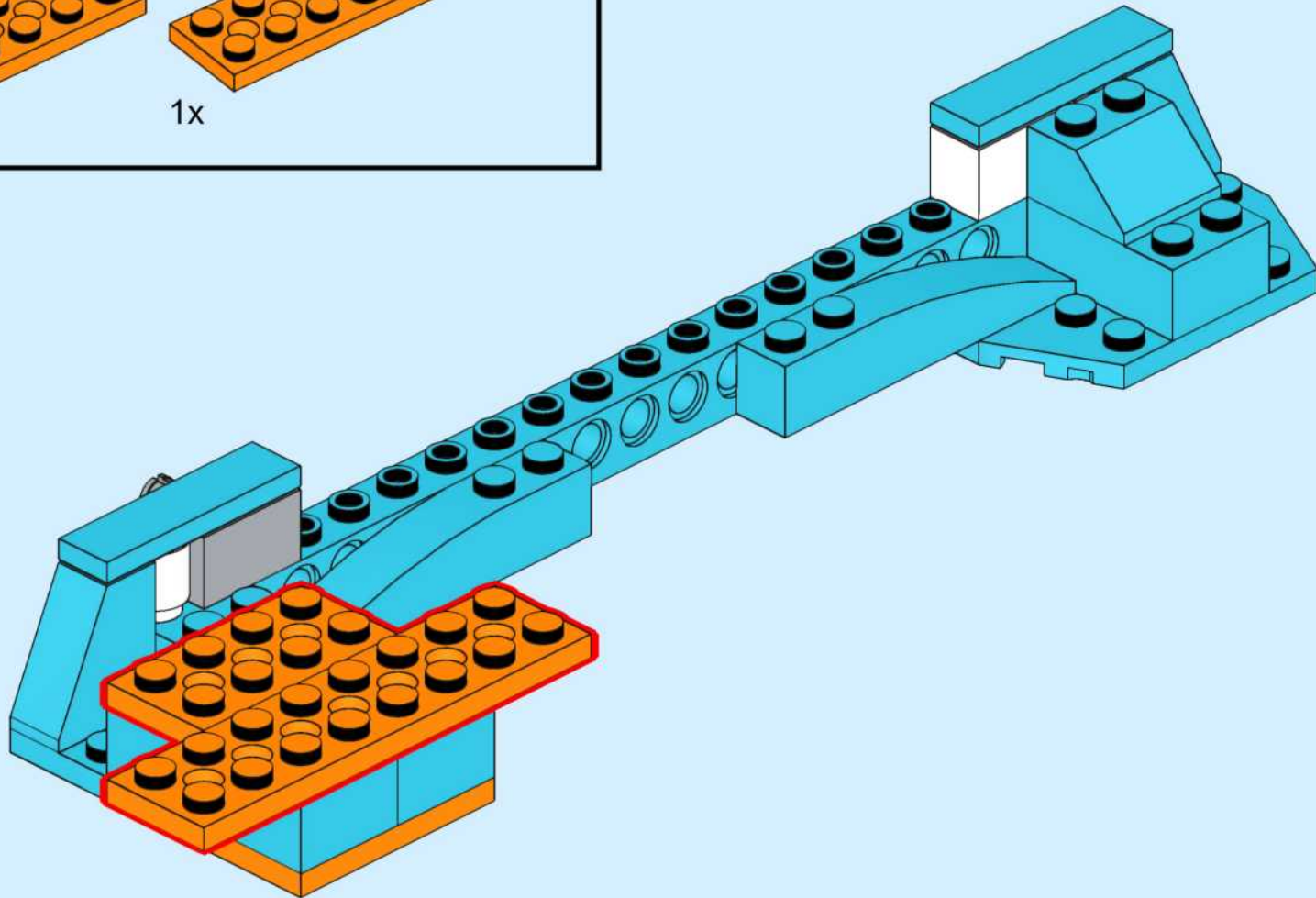
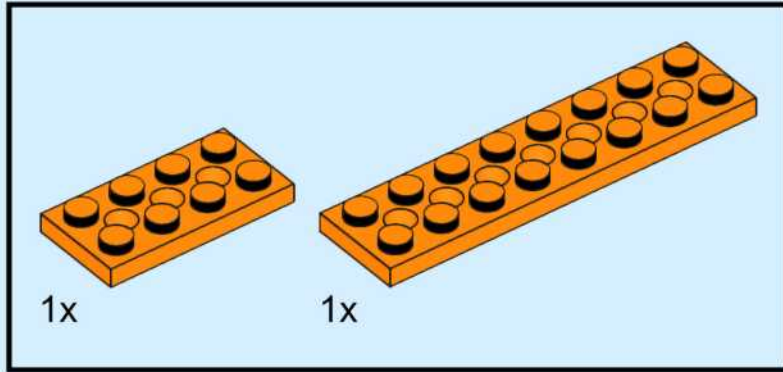




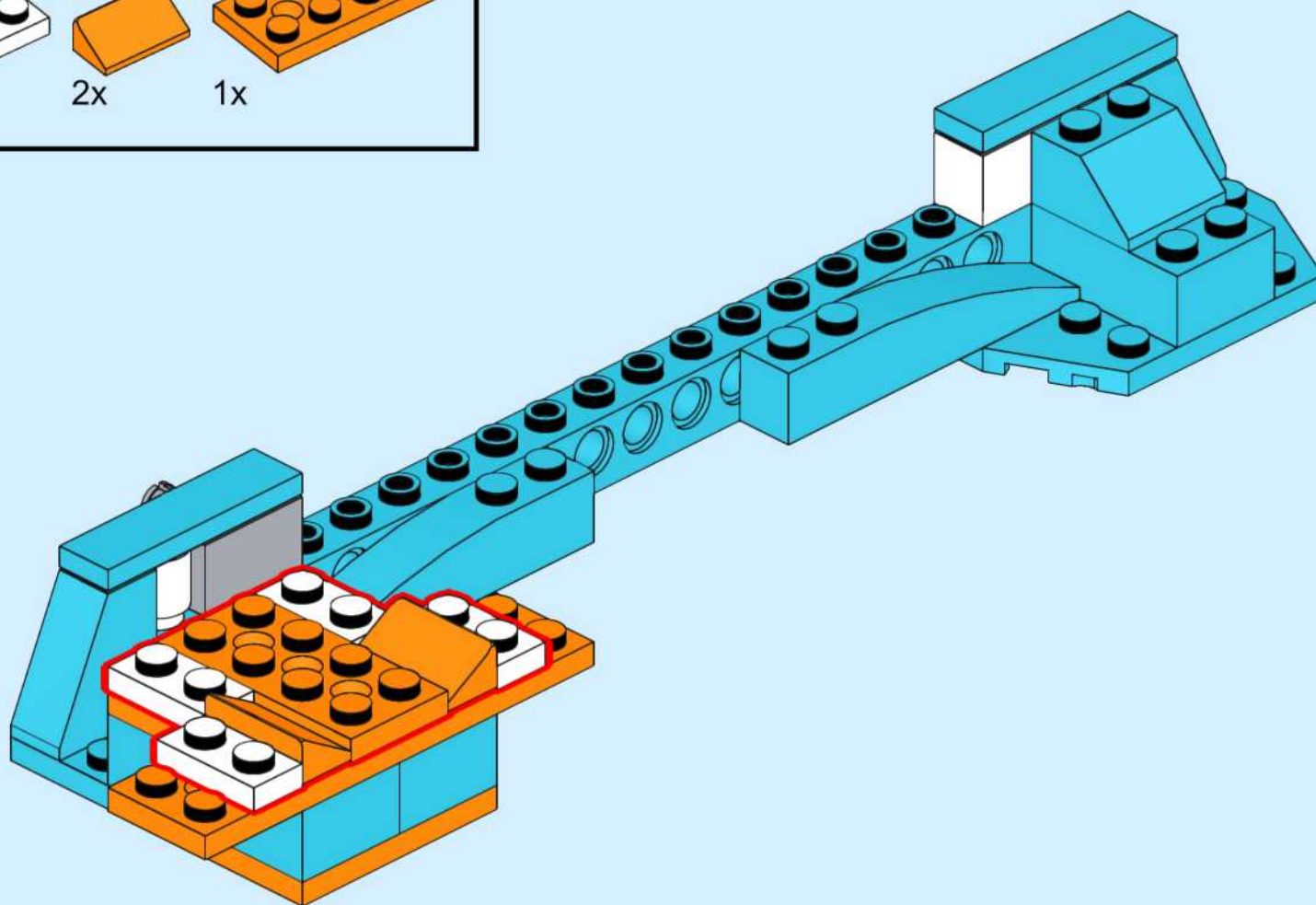
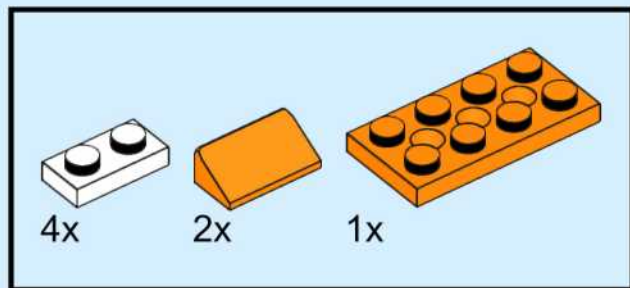
# 66



# 67

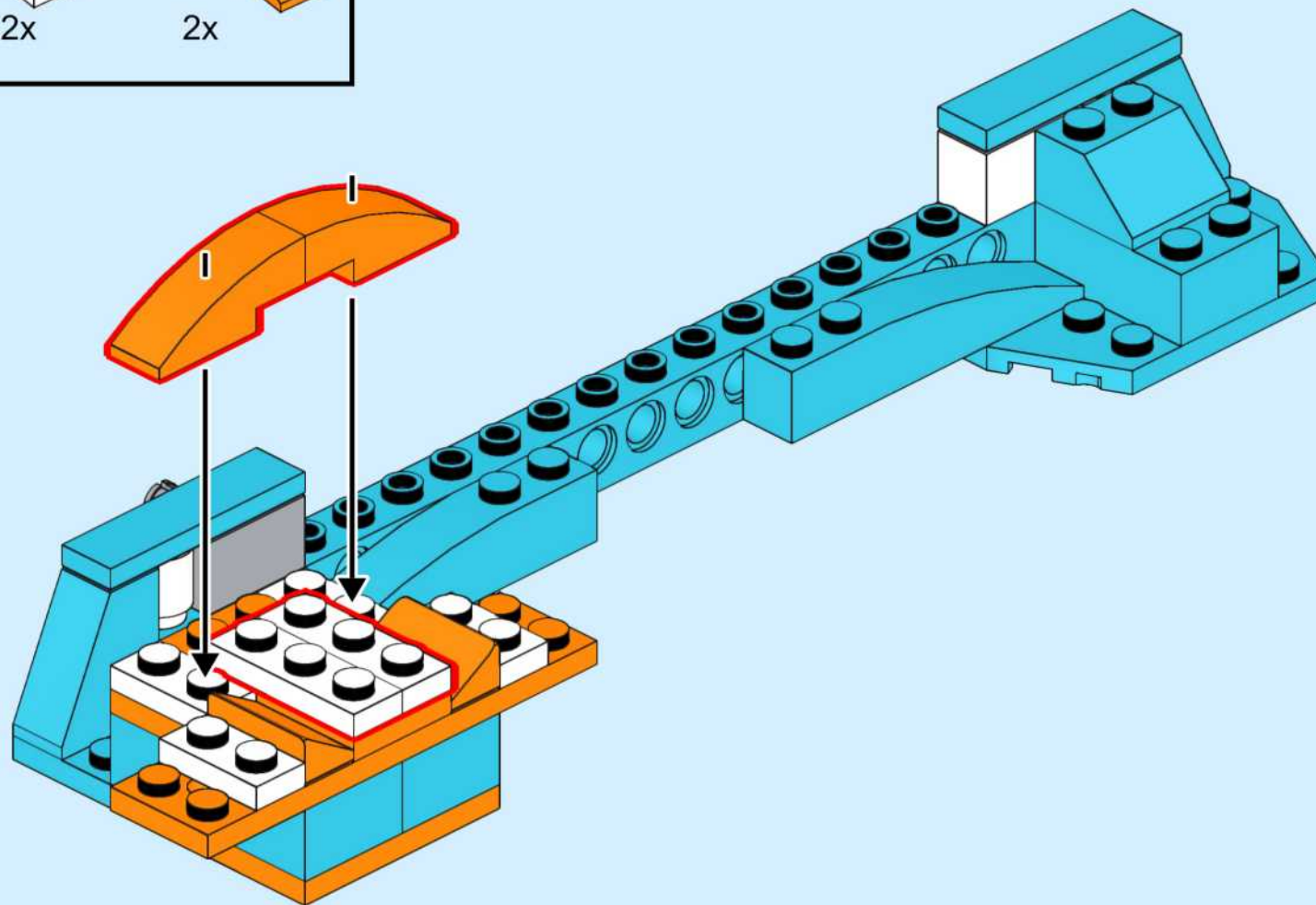
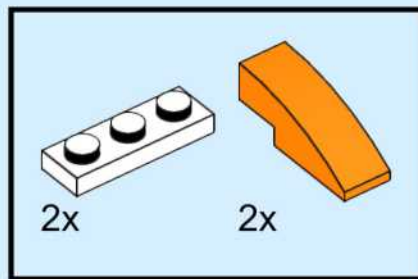


# 68

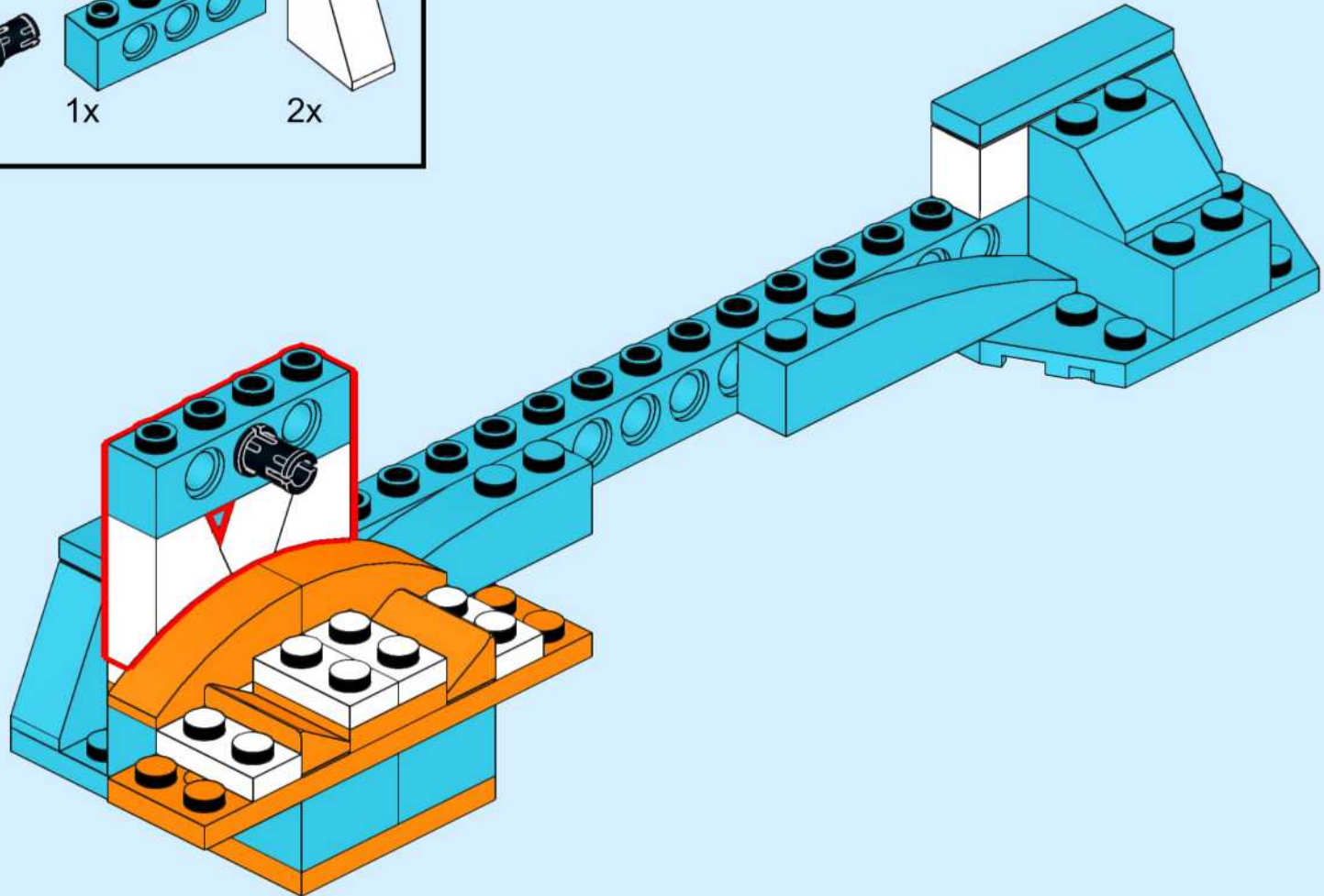
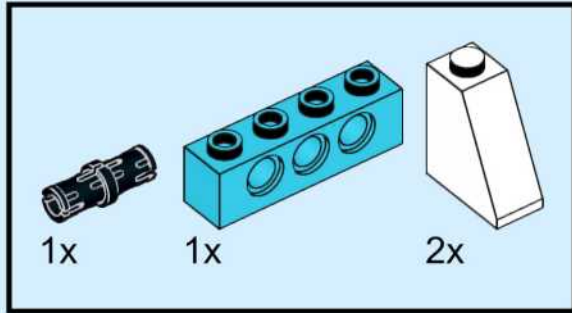




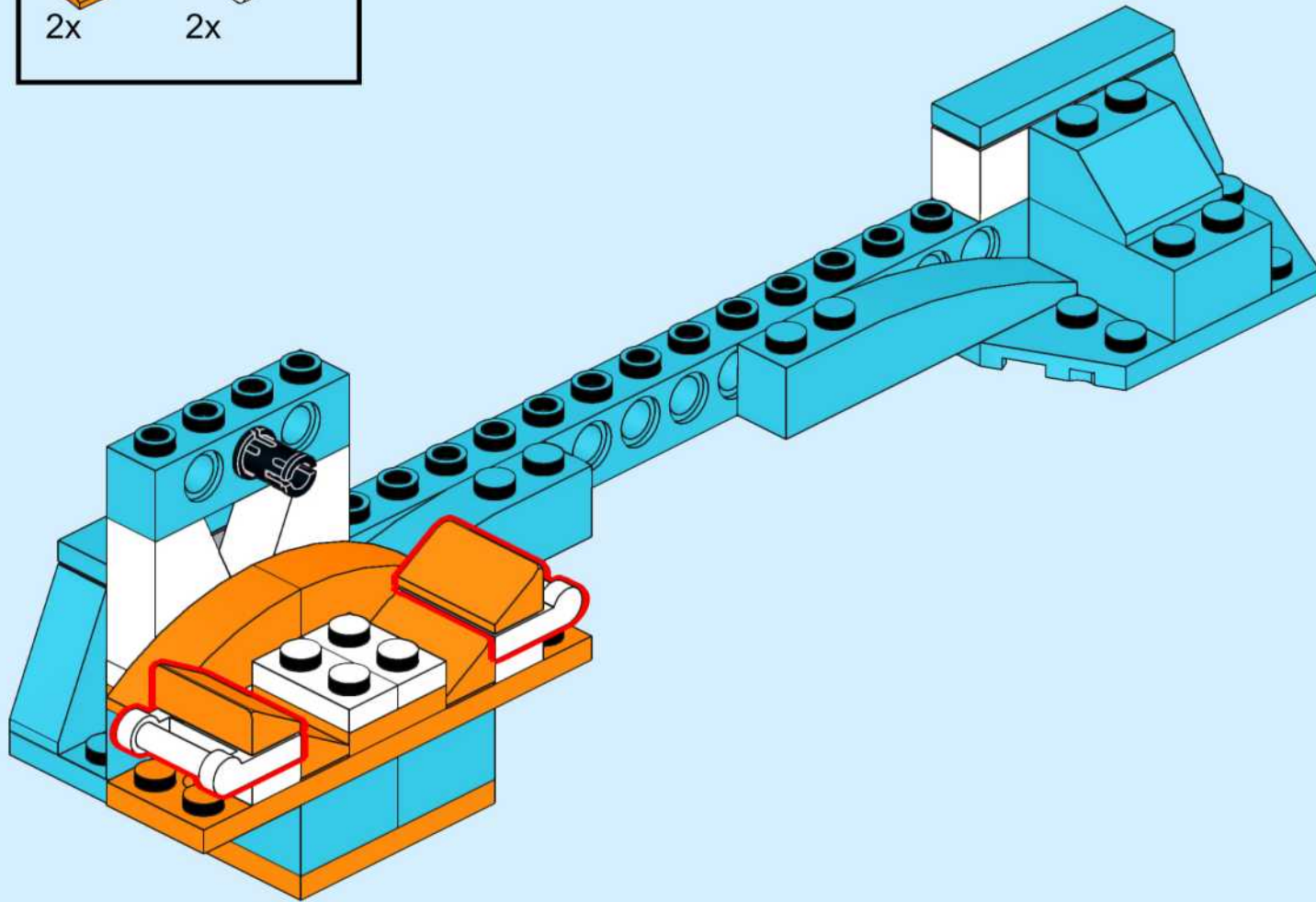
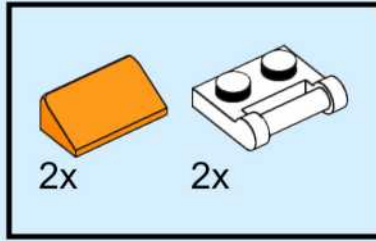
# 69



# 70

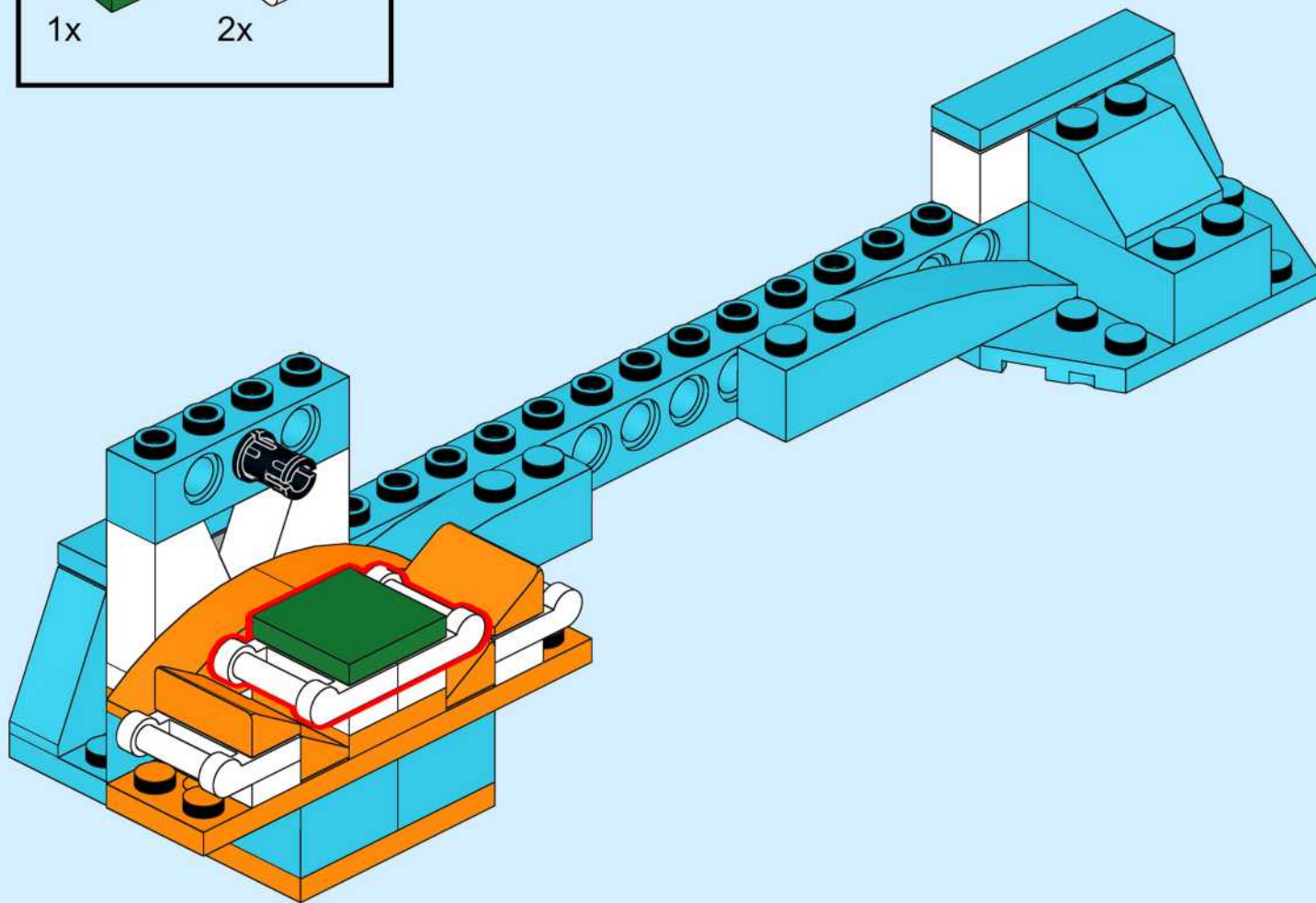
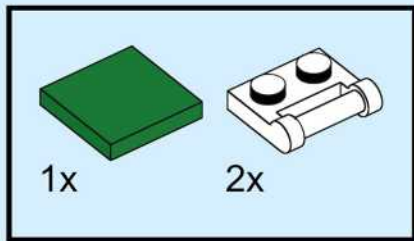


# 71

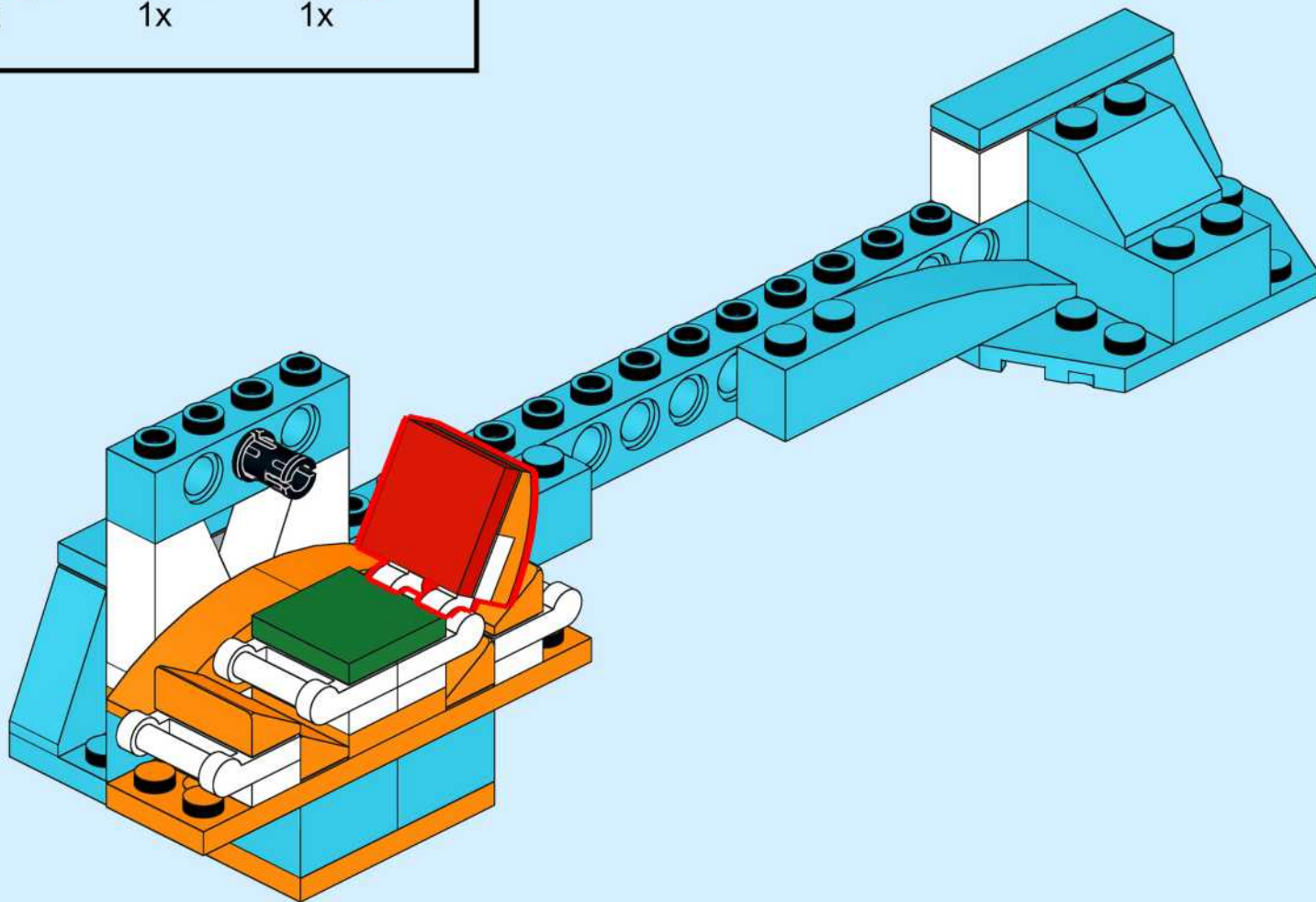
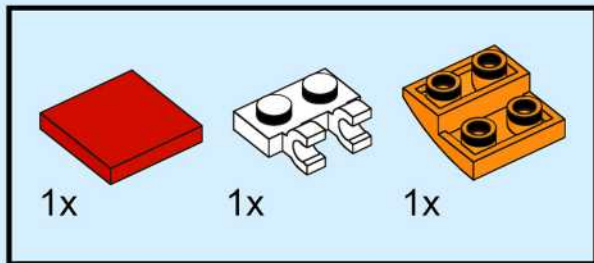




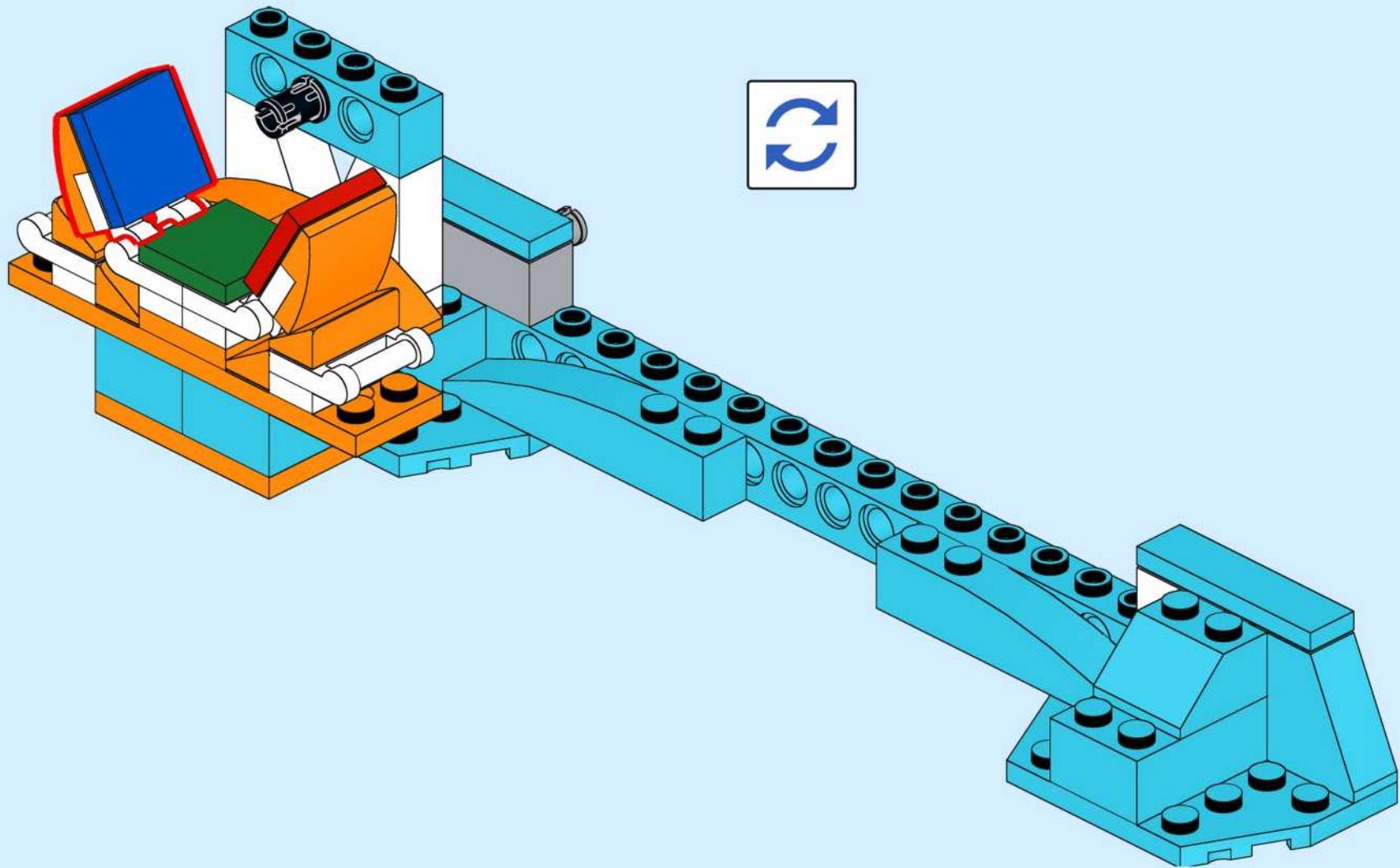
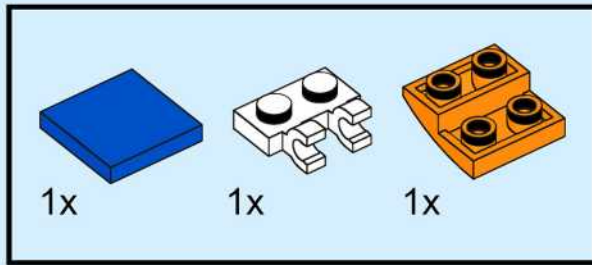
# 72



# 73

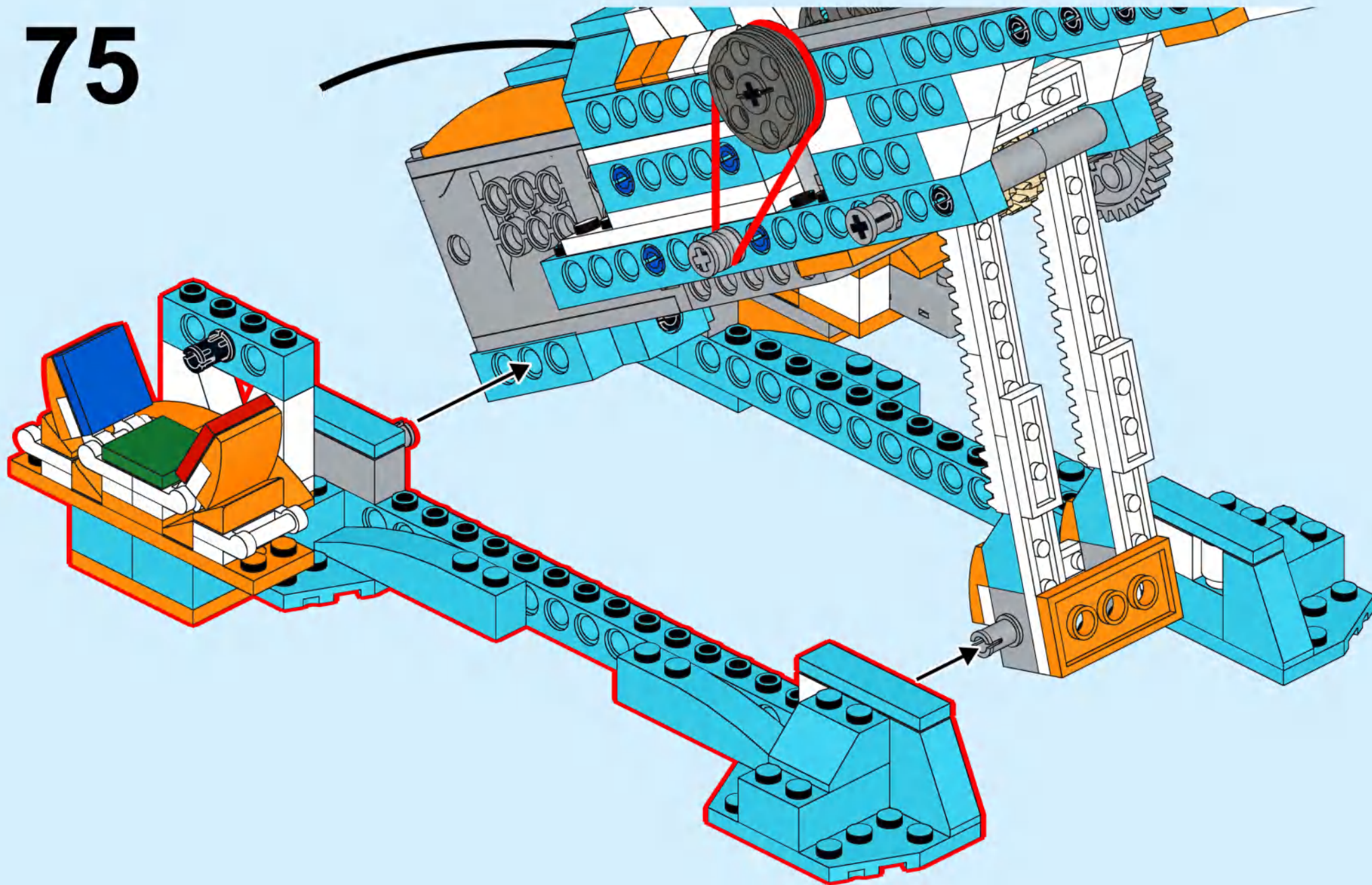


# 74



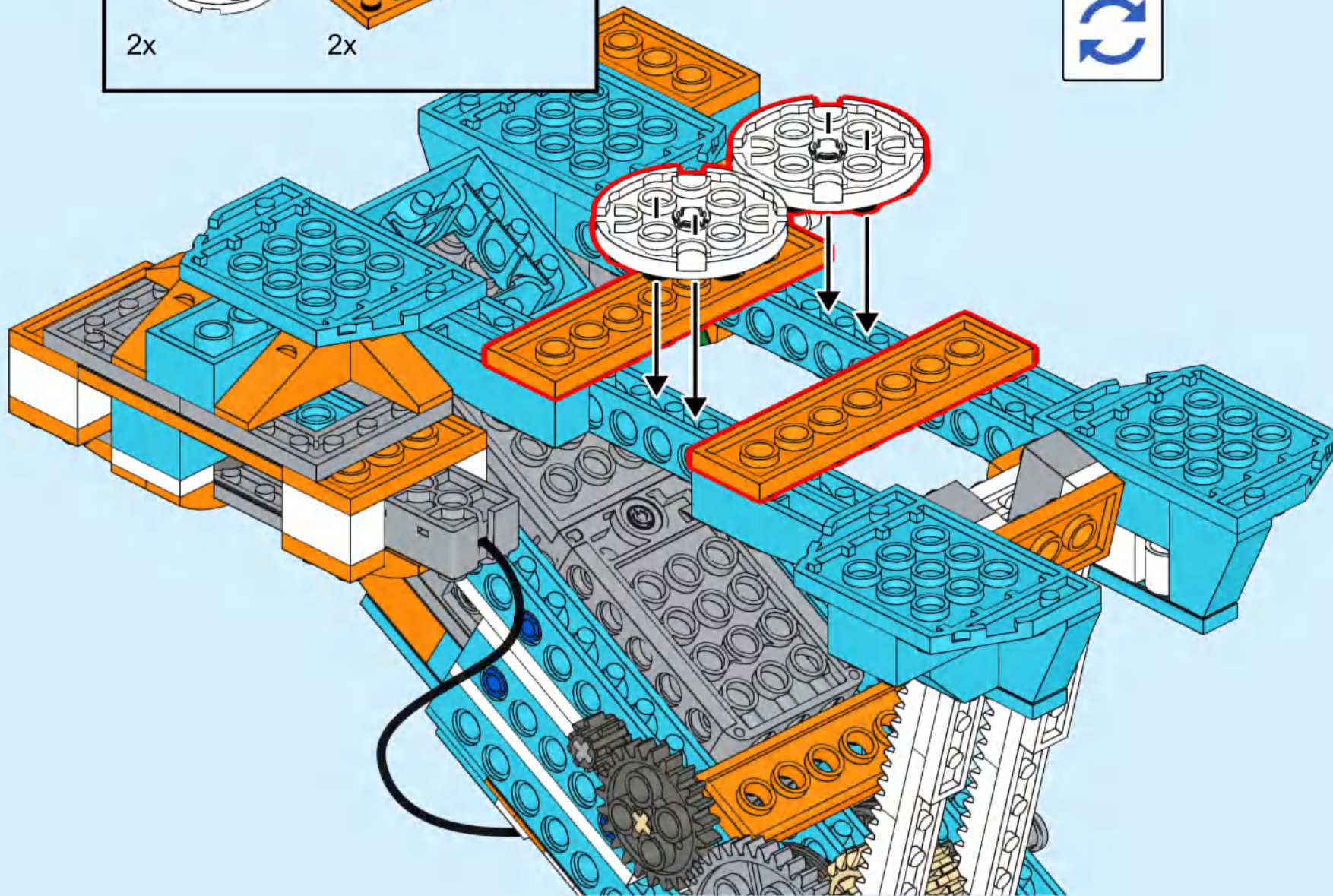
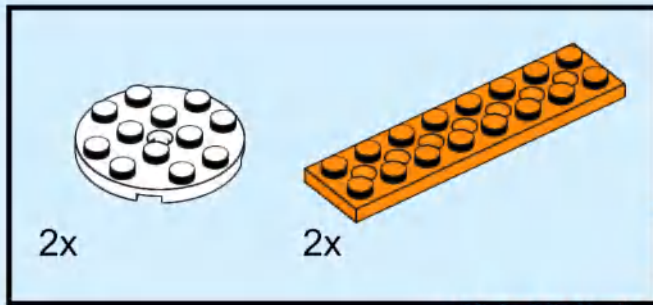


75



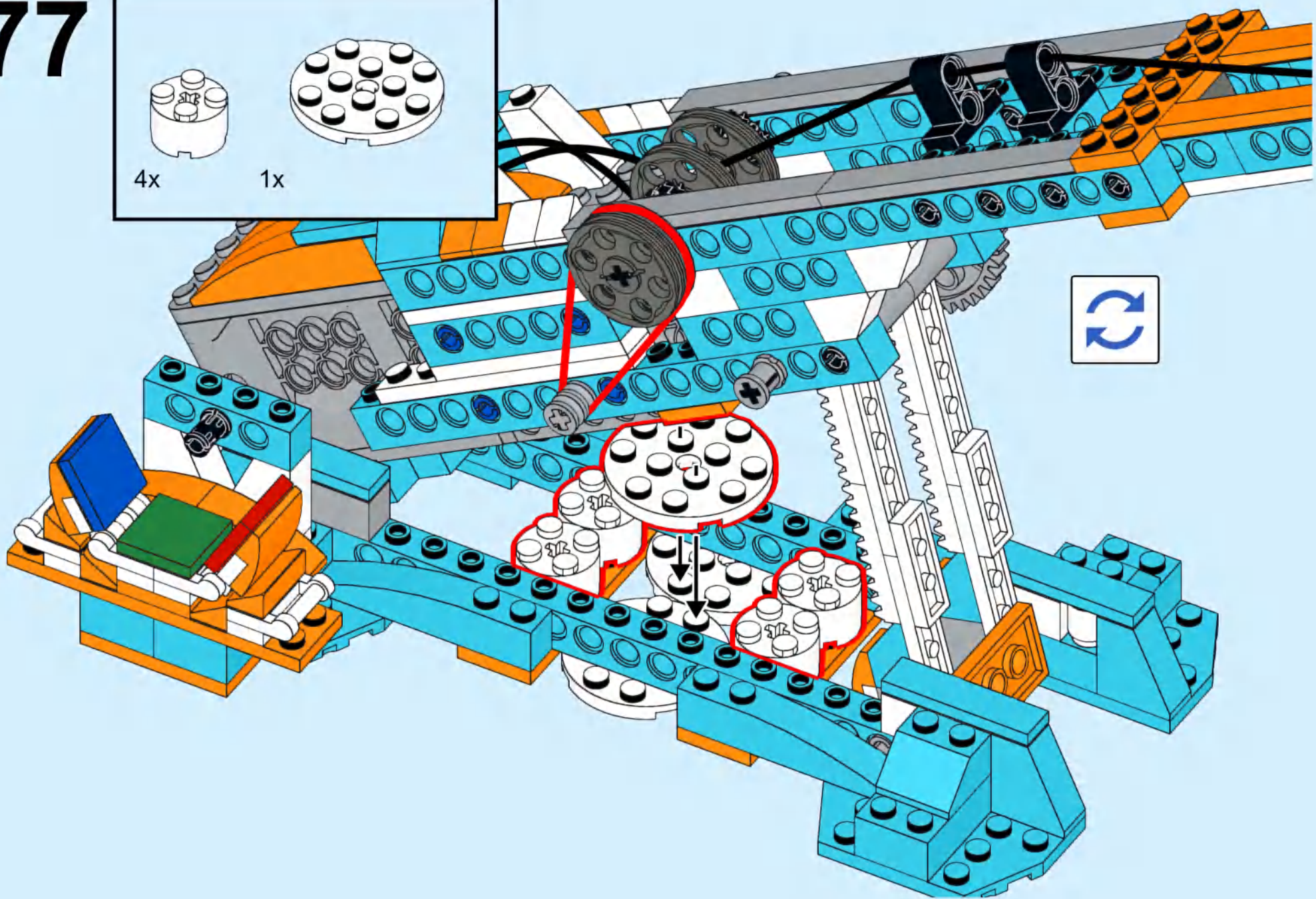
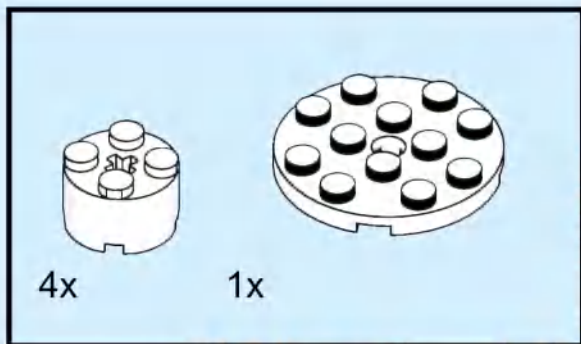


# 76



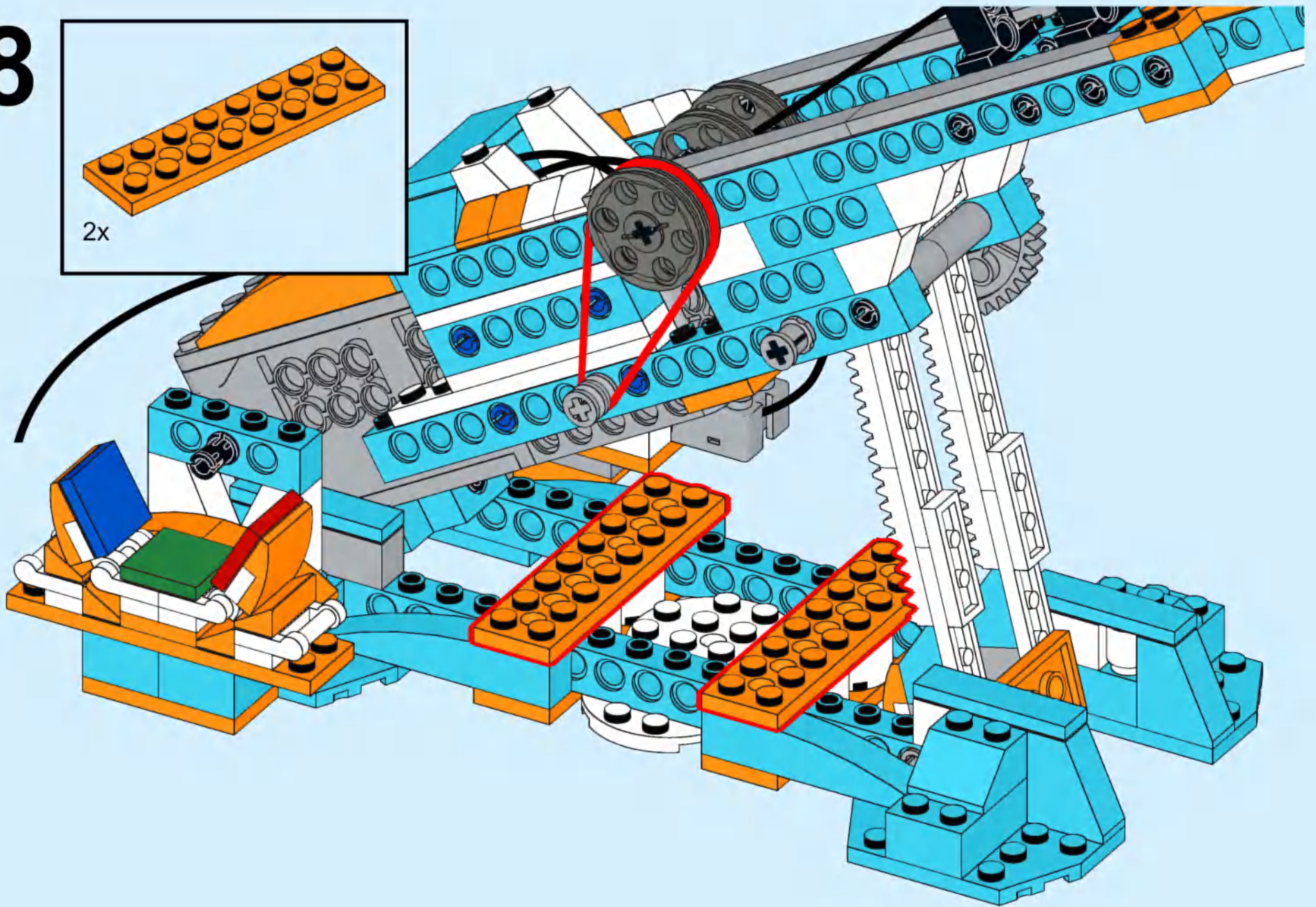
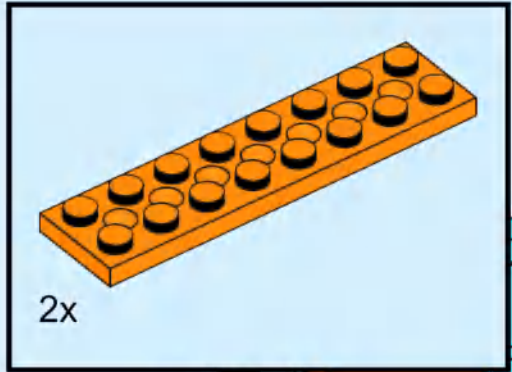


# 77



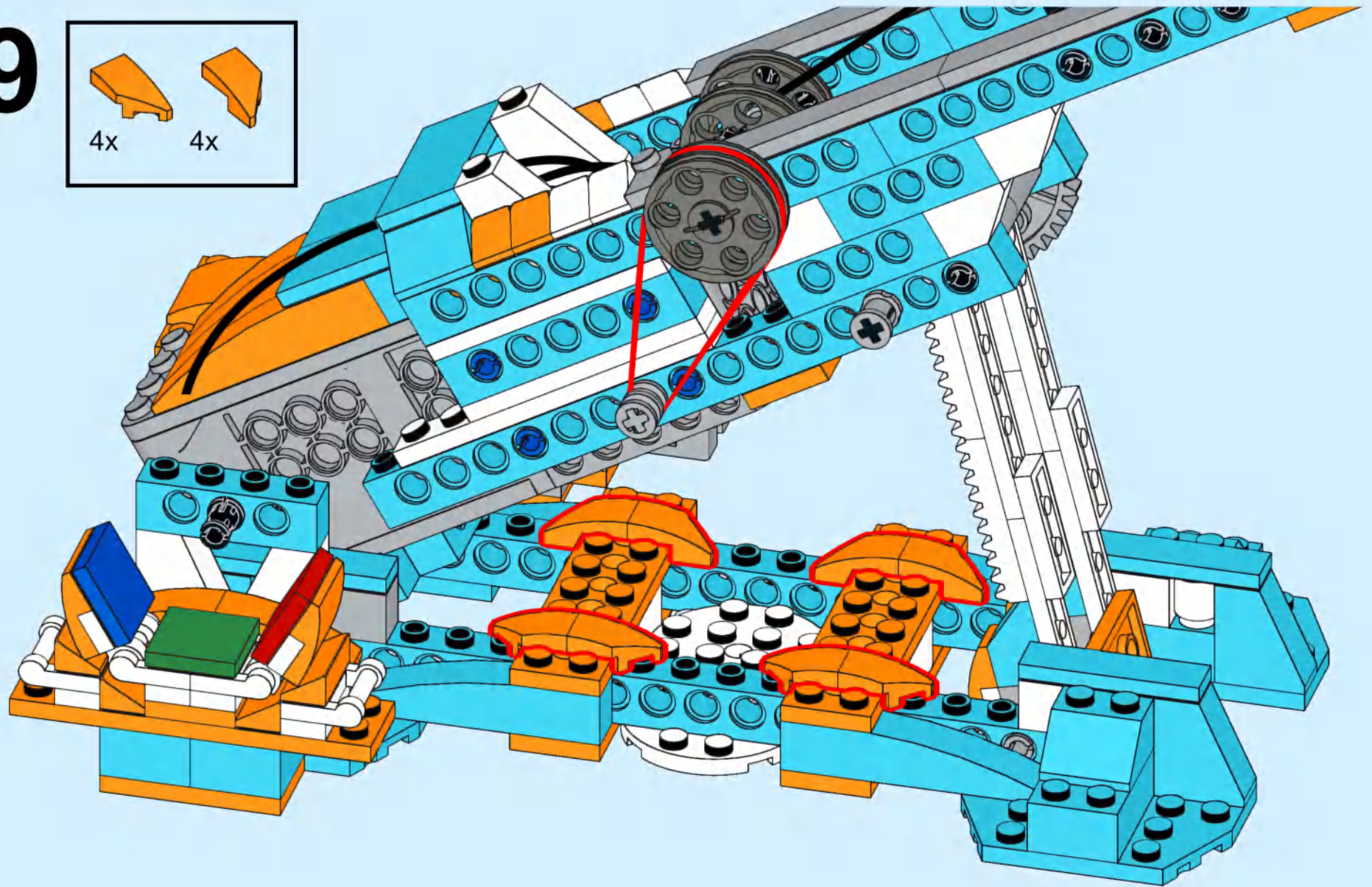
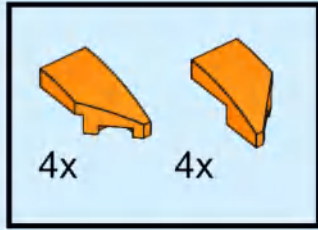


# 78

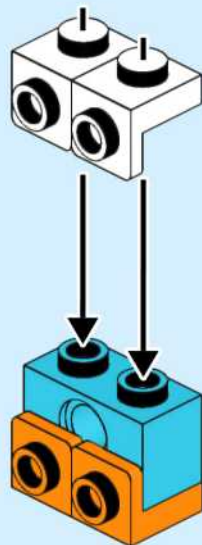
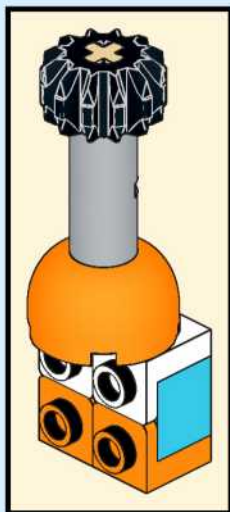
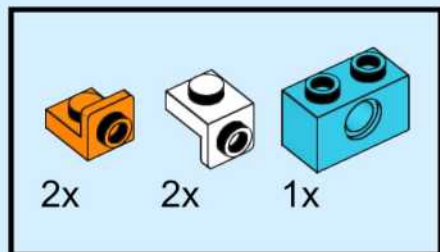




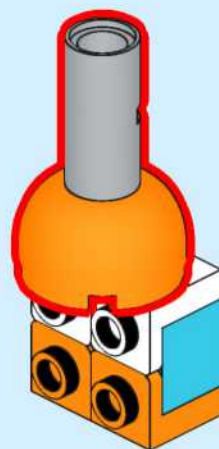
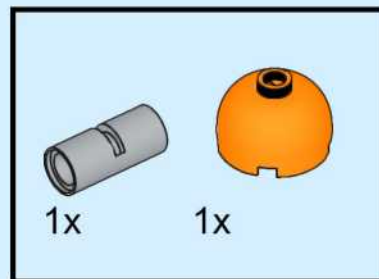
# 79



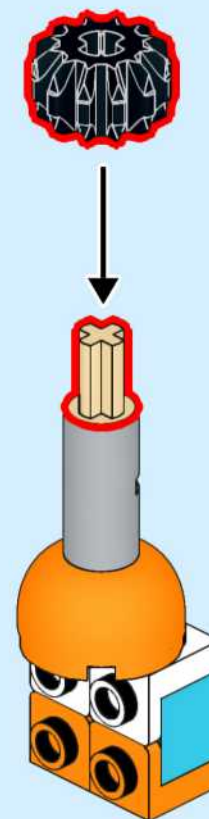
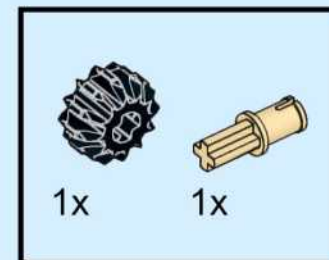
# 80



# 81

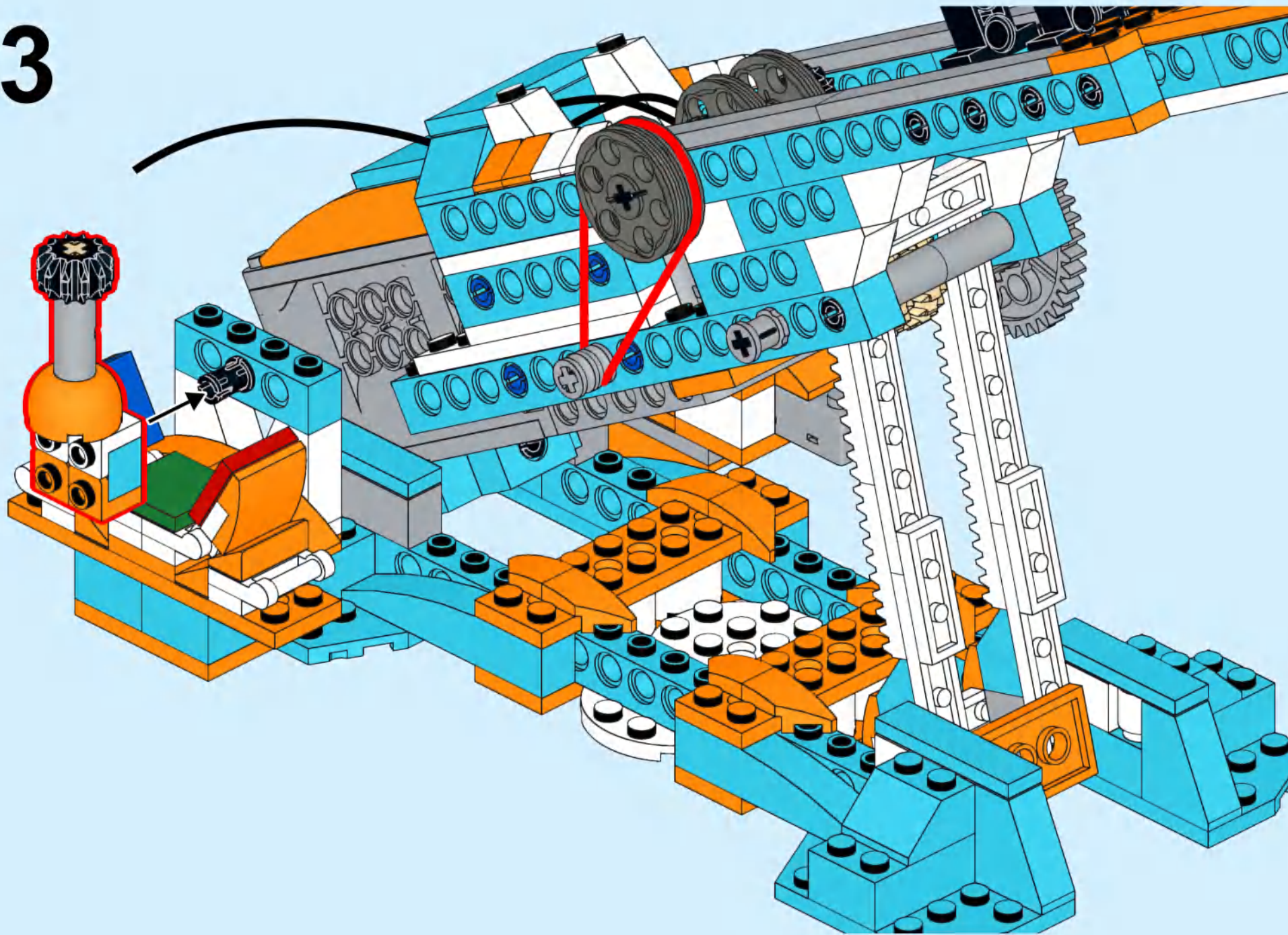


# 82



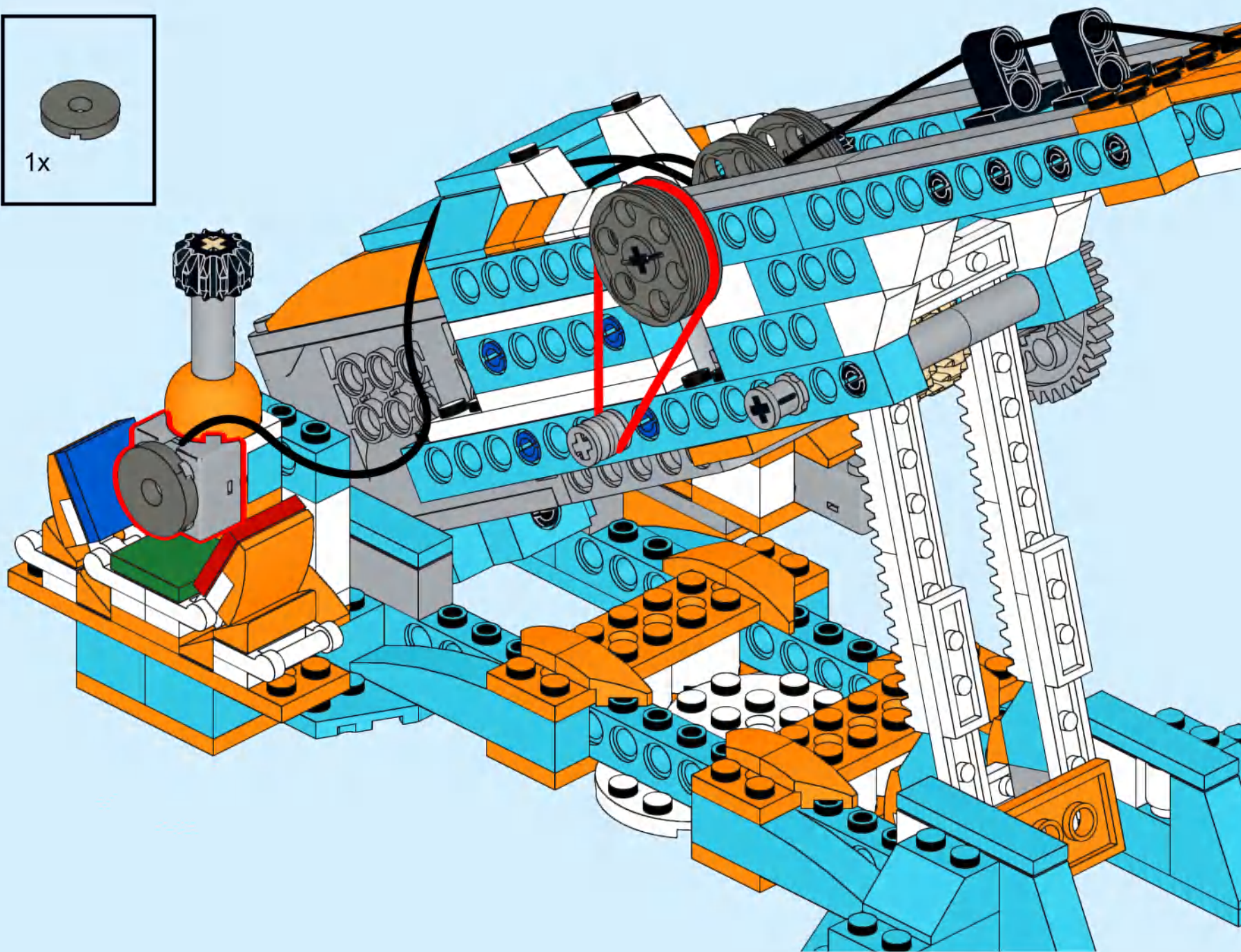
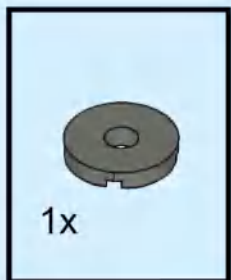


83

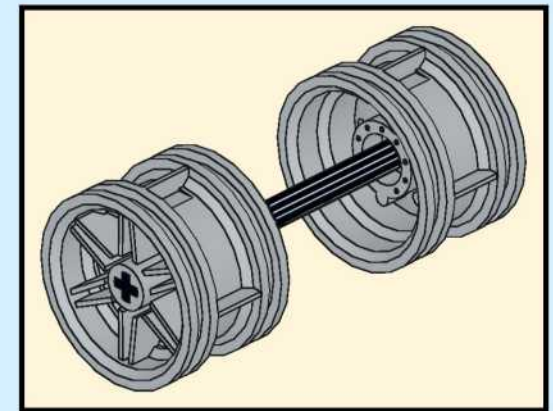
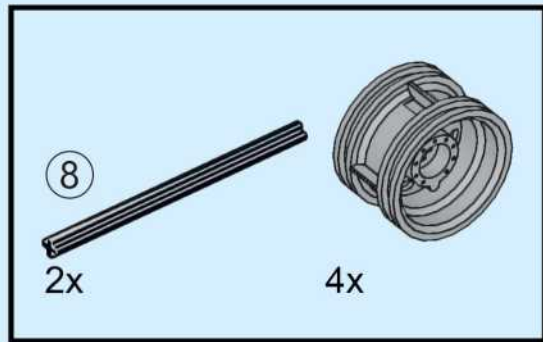




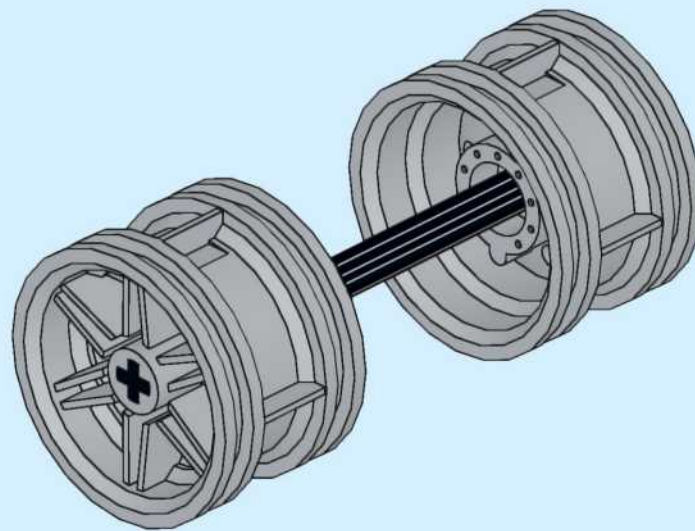
84



# 85



2x





# 86

